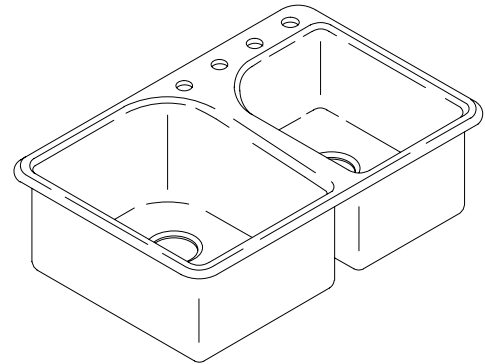


FEATURES

- 33" x 22"
- Cast iron
- Acid resistant enamel finish
- Self-rimming
- Double (large/medium) compartment
- 4-hole (K-5948-4) or 3-hole (K-5948-3) drilling



CODES/STANDARDS APPLICABLE

Specified model meets or exceeds the following:

- ASME/ANSI A112.19.1M
- IAPMO/UPC
- Canadian Standards Association (CSA)

COLORS/FINISHES

- 0 White
- Other Refer to Fixtures Price Book for additional colors

Accessories:

- CP Polished Chrome
- 0 White
- NA None Applicable
- Other Refer to Price Book for additional colors

SPECIFIED MODEL:

Model	Description	Colors/Finishes	
K-5948-4	4-hole sink	<input type="checkbox"/> 0 White	<input type="checkbox"/> Other_____
K-5948-3	3-hole sink	<input type="checkbox"/> 0 White	<input type="checkbox"/> Other_____

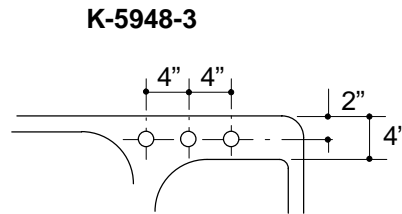
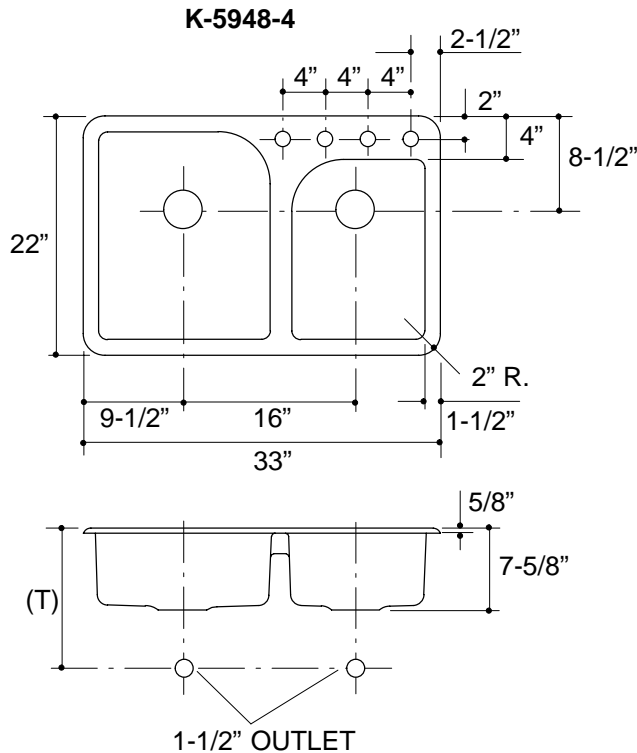
Recommended Accessories			
K-9000	Trap		<input type="checkbox"/> CP
Optional Accessories			
K-5958	Hardwood cutting board (for right basin only)		<input type="checkbox"/> NA
K-6000	Bottom basin rack (for left basin only)	<input type="checkbox"/> 0 White	<input type="checkbox"/> Other_____
K-6521	Wire rinse basket (for right basin only)	<input type="checkbox"/> 0 White	<input type="checkbox"/> Other_____
K-8801	Duostrainer sink strainer	<input type="checkbox"/> CP	<input type="checkbox"/> Other_____

PRODUCT SPECIFICATION:

The self-rimming sink shall be 33" in length, and 22" in width. Sink shall be made of cast iron with acid resistant enamel finish. Sink shall be double (large/medium) compartment. Sink shall be 3 or 4-hole drilled. Sink shall be Kohler Model K-5948-____-_____.

PRODUCT INFORMATION

Fixture*:		basin area	water depth
Sink, small		12" x 16"	6-3/4"
Sink, large		16" x 19"	6-3/4"
Outlet	3-7/8" D.		
Faucet holes	1-3/8" D.		
* Approximate measurements for comparison only.			



Roughing-In Notes	
(T) Drain typically 13".	
Cutout	31-3/4" x 20-3/4" with 1" radius corners.

.9<116

PRODUCT DIAGRAM