

KOHLER® SERVICE PARTS

LAVATORY FITTINGS

K-15240
K-15241

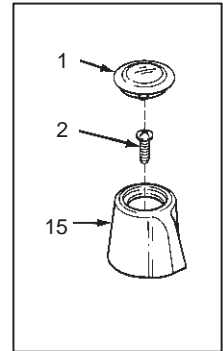
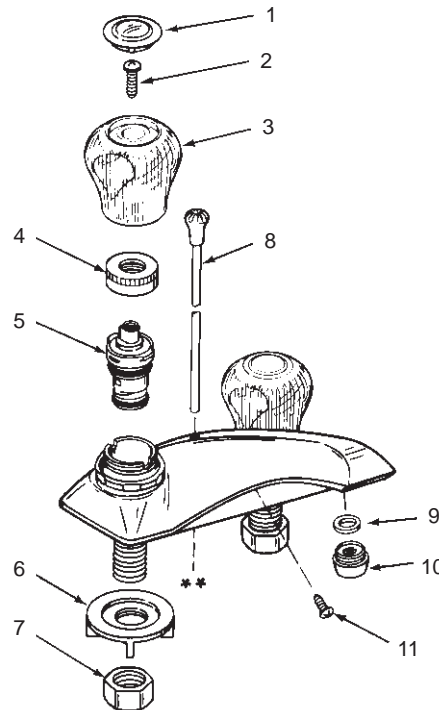
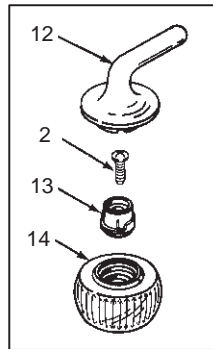
CORALAIS
CORALAIS

LAVATORY FAUCET
LAVATORY FAUCET WITH POP-UP DRAIN

ORDER BY KIT NUMBER OR PART NUMBER, NOT ITEM NUMBER OR KIT LETTER.

Ordering Options

Item	Part No. or Kit
1	A, B, C, M
2	C, G, M, 70047
3	C
4	F
5	D or J
6, 7	E
8	70422‡
9, 10	N or O
11	B
12	G
13	G, H
14	G, I, K or L
15	M, 70508‡



Kit Ordering Information

Kit	Kit Part No.	Kit Name	Kit Contents
A	70208	Plug Button (Hot)	1 ea. Hot, Item 1
B	70207	Plug Button (Cold)	1 ea. Cold, Item 1
C	70274	Handles	1 ea. Hot, 1 ea. Cold; Items 1, 2, and 3
D	70127	Valve Assembly (Closes Clockwise)	1 ea., Item 5
E	30228	Mounting Hardware	2 ea., Items 6 and 7
F	70430 ‡	Bonnets	2 ea., Item 4
G	70457 ‡	Lever Handle (w/Clear Plastic Skirt)	1 ea., Items 2, 12, 13, and 14
H	70455	Adapters	2 ea., Item 13
I	70456	Clear Plastic Handle Skirts	2 ea., Item 14
J	70415	Valve Assembly (Closes Counterclockwise)	1 ea., Item 5
K	K-15299 *	Wood Handle Skirts	2 ea., Item 14
L	K-15298 *	Colored Handle Skirts	2 ea., Item 14
M	70466 ‡	Blade Handle	1 ea. Hot, 1 ea. Cold; Item 1; 2 ea., Items 2 and 15
N	30070 ‡	Aerator (Female Threads)	1 ea., Items 9 and 10
O	30072 ‡	Aerator (Male Threads)	1 ea., Items 9 and 10

KITS MAY INCLUDE EXTRA PARTS

NOTES:

Other Product Numbers Using Same Parts.
K-15242 K-15243 K-15240-B K-15241-B K-15243-B
* Not available as a service part.
** For Chrome Plate pop-up drain, see 40240 or 70402.
** For Polished Brass pop-up drain, see K-7701 or 70408.

LEGEND:

‡ Specify Finish.