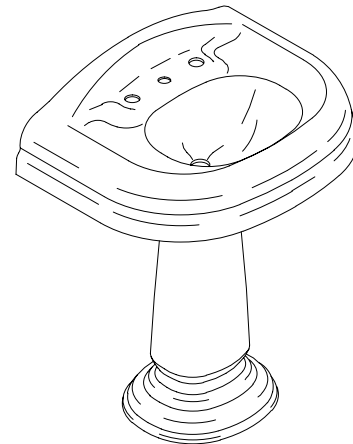


### PEDESTAL LAVATORY

# K-2800

#### FEATURES

- 28" x 21" x 31-3/8"
- Cast iron
- Pedestal lavatory
- 8" centers (K-2800-8), single-hole (K-2800-1) drilling
- With overflow



#### CODES/STANDARDS APPLICABLE

Specified model meets or exceeds the following:

- ASME/ANSI A112.19.1M
- IAPMO/UPC
- State of Massachusetts

#### COLORS/FINISHES

- 0 White
- Other Refer to Fixtures Price Book for additional colors

#### Accessories:

- CP Polished Chrome
- Other Refer to Faucets Price Book for additional finishes

#### SPECIFIED MODEL:

Model	Description	Colors/Finishes	
K-2800-8	8" centers lavatory	<input type="checkbox"/> 0 White	<input type="checkbox"/> Other_____
K-2800-1	Single-hole lavatory	<input type="checkbox"/> 0 White	<input type="checkbox"/> Other_____

Recommended Accessories			
K-7605-P	Lavatory supplies 3/8" (pair)	<input type="checkbox"/> CP	<input type="checkbox"/> Other_____
K-8998	Trap	<input type="checkbox"/> CP	<input type="checkbox"/> Other_____

#### PRODUCT SPECIFICATION:

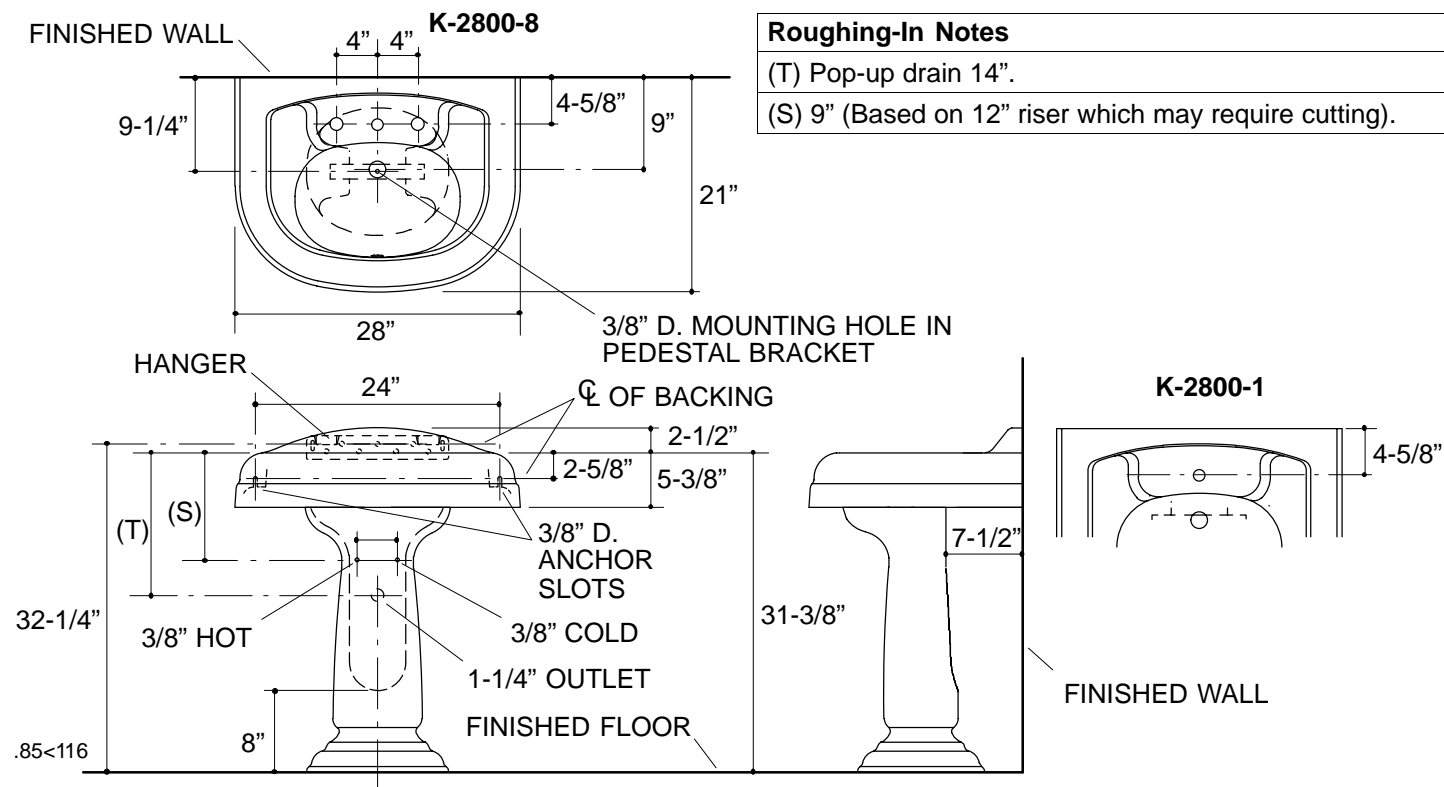
The pedestal lavatory shall be 28" in length, 21" in width, and 31-3/8" in height. Pedestal lavatory shall be made of cast iron. Pedestal lavatory shall have 8" centers (K-2800-8), or single-hole (K-2800-1) drilling. Pedestal lavatory shall have overflow. Lavatory shall be Kohler Model K-2800-\_\_\_\_\_-\_\_\_\_\_.

## PRODUCT INFORMATION

Fixture*:		basin area	water depth
Lavatory		16" x 11"	4-1/2"
Outlet	1-3/4" D.		
* Approximate measurements for comparison only.			

Holes	<b>K-2800-8</b>	<b>K-2800-1</b>	
Spout	1-1/8" D.	1-3/8" D.	
Faucet	1-5/16" D.		

Included Components:	
Lavatory basin, 8" centers	K-2801-8
Lavatory basin, single-hole	K-2801-1
Pedestal	K-2802
Pedestal accessory pack	52204
Hanger	64503
Bracket	82827



## PRODUCT DIAGRAM