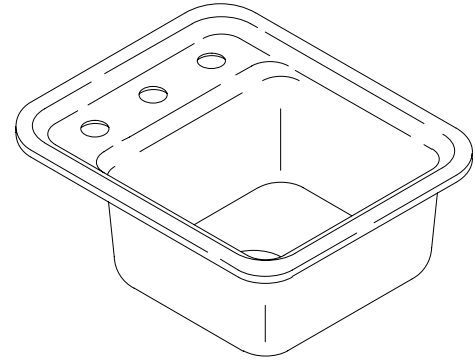


SELF-RIMMING ENTERTAINMENT SINK

K-6560

FEATURES

- 16" x 19"
- Cast iron
- Acid resistant enamel finish
- Self-rimming
- Single compartment
- Single-hole (K-6560-1), 2-hole (K-6560-2), or 3-hole (K-6560-3) drilling



CODES/STANDARDS APPLICABLE

Specified model meets or exceeds the following:

- ASME/ANSI A112.19.1M
- IAPMO/UPC
- Canadian Standards Association (CSA)
- State of Massachusetts

COLORS/FINISHES

- 0 White
- Other Refer to Fixtures Price Book for additional colors

Accessories:

- CP Polished Chrome
- NA None Applicable
- Other Refer to Price Book for additional finishes

SPECIFIED MODEL:

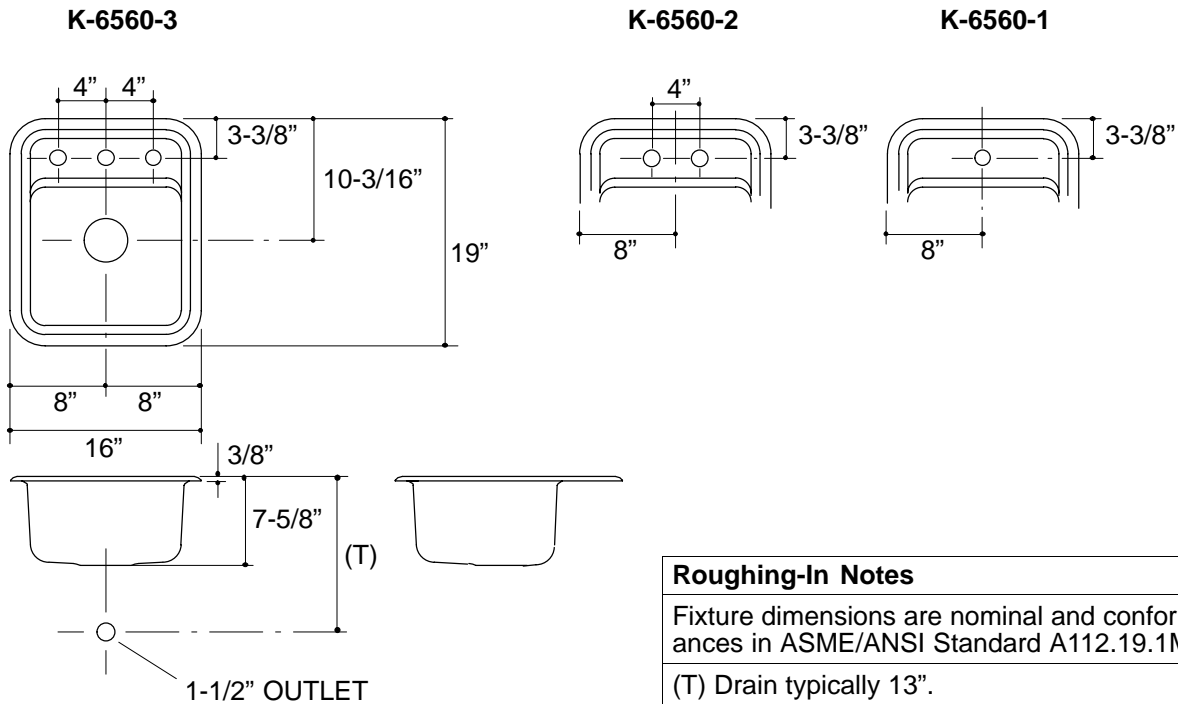
Model	Description	Colors/Finishes	
K-6560-1	Single-hole sink	<input type="checkbox"/> 0 White	<input type="checkbox"/> Other_____
K-6560-2	2-hole sink	<input type="checkbox"/> 0 White	<input type="checkbox"/> Other_____
K-6560-3	3-hole sink	<input type="checkbox"/> 0 White	<input type="checkbox"/> Other_____
Optional Accessories			
K-6508	Hardwood cutting board	<input type="checkbox"/> NA	
K-8801	Duostrainer sink strainer	<input type="checkbox"/> CP	<input type="checkbox"/> Other_____

PRODUCT SPECIFICATION:

The self-rimming entertainment sink shall be 16" in length, and 19" in width. Sink shall be made of cast iron with acid resistant enamel finish. Sink shall be single compartment. Sink shall be single-hole (K-6560-1), 2-hole (K-6560-2), or 3-hole (K-6560-3) drilled. Sink shall be Kohler Model K-6560-_____-_____-_____.

PRODUCT INFORMATION

Fixture*:		basin area	water depth
Sink		12" x 13"	6-1/2"
Outlet	3-5/8" D.		
Faucet holes	1-3/8" D.		
* Approximate measurements for comparison only.			



Roughing-In Notes	
Fixture dimensions are nominal and conform to tolerances in ASME/ANSI Standard A112.19.1M.	
(T) Drain typically 13".	
Cutout	14-3/4" x 17-3/4" with 2-3/8" radius corners.

116

PRODUCT DIAGRAM