

Ordering Information

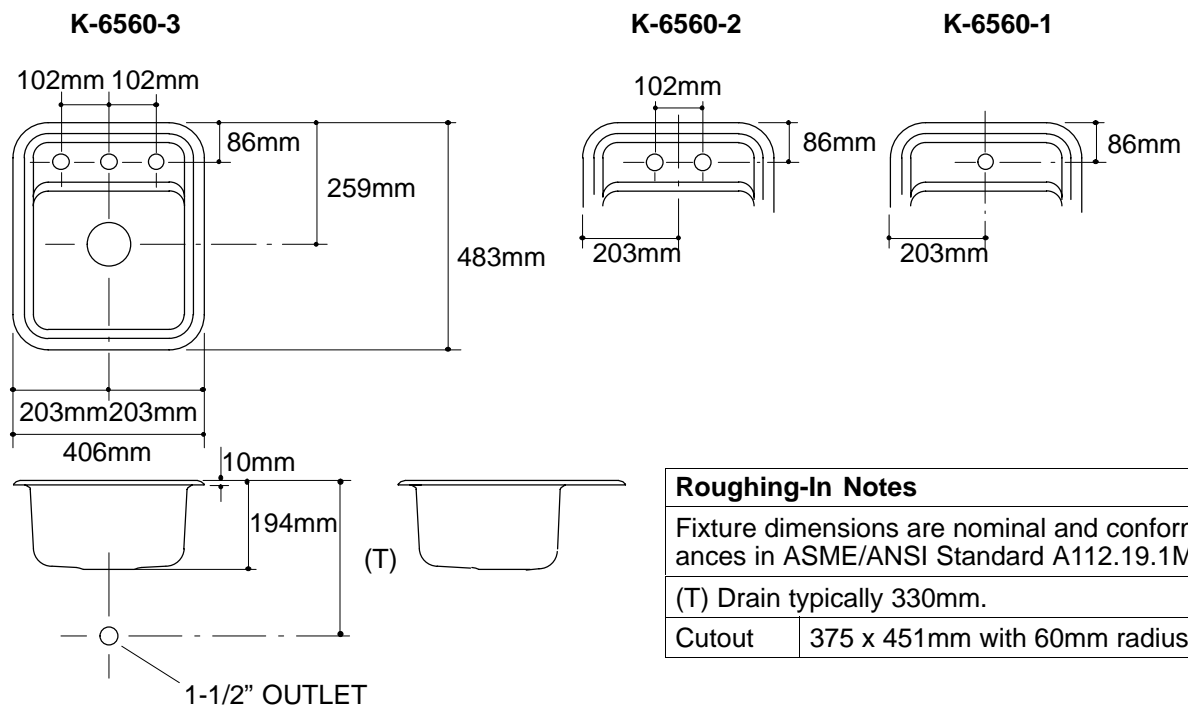
Applicable product:		
Three-hole bar sink	K-6560-3	shown
Two-hole bar sink	K-6560-2	not shown
One-hole bar sink	K-6560-1	not shown
Accessories/hardware:		
Hardwood cutting board	K-6508	optional

Product Information

Fixture*:		basin area	water depth
Sink		305 x 330mm	165mm
Outlet	Ø92mm		
Faucet holes	Ø35mm		
* Approximate measurements for comparison only.			

Installation Notes

Refer to installation instructions included with fixture before beginning installation.



Roughing-In Notes	
Fixture dimensions are nominal and conform to tolerances in ASME/ANSI Standard A112.19.1M.	
(T) Drain typically 330mm.	
Cutout	375 x 451mm with 60mm radius corners.