

FEATURES

- 24-3/4" x 19-3/8"
- Vitreous china
- Self-rimming
- Single-hole (K-2186-1) drilling, 8" centers (K-2186-8)
- ADA compliant
- With sealant

CODES/STANDARDS APPLICABLE

Specified model meets or exceeds the following:

- ADA
- ASME/ANSI A112.19.2M
- CABO/ANSI A117.1
- IAPMO/UPC



COLORS/FINISHES

- 0 White

Accessories:

- CP Polished Chrome
- Other Refer to Faucets Price Book for additional finishes

SPECIFIED MODEL:

Model	Description	Colors/Finishes
K-2186-8	8" centers lavatory	<input type="checkbox"/> 0 White
K-2186-1	Single-hole lavatory	<input type="checkbox"/> 0 White

Recommended Accessories			
K-6763-7	Cygnetset lavatory faucet	<input type="checkbox"/> CP	<input type="checkbox"/> Other_____
K-6772-7	Cygnetset widespread lavatory faucet	<input type="checkbox"/> CP	<input type="checkbox"/> Other_____
K-8998	Trap	<input type="checkbox"/> CP	<input type="checkbox"/> Other_____

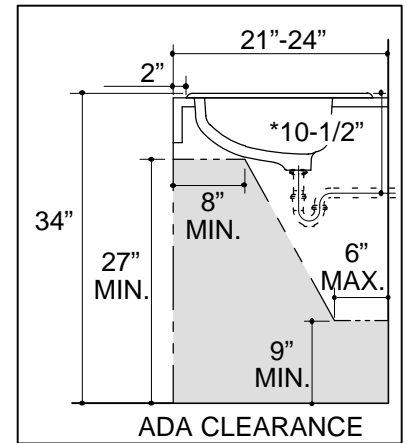
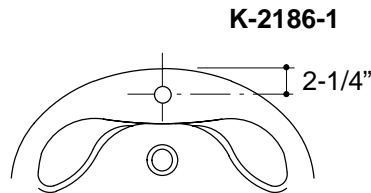
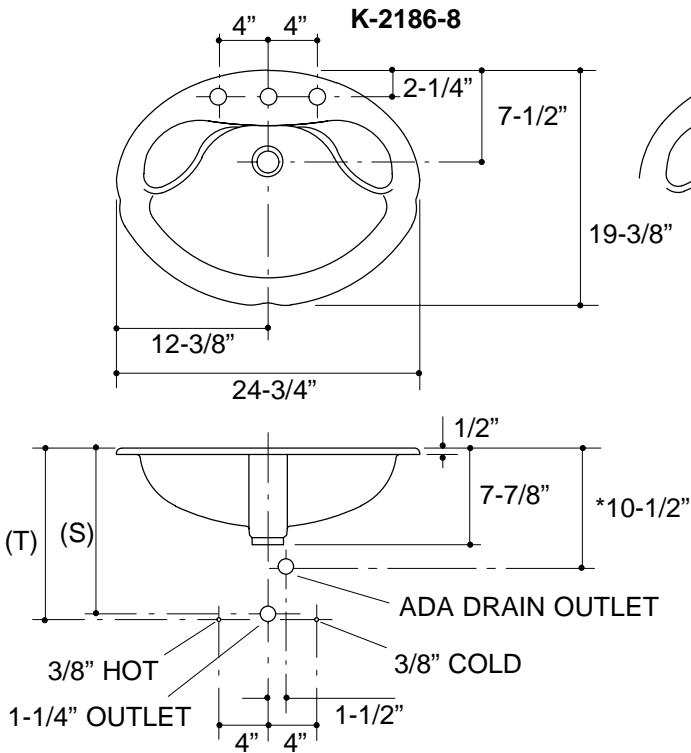
PRODUCT SPECIFICATION:

The self-rimming countertop lavatory shall be 24-3/4" in length, and 19-3/8" in width. Lavatory shall be made of vitreous china. Lavatory shall have 8" centers (K-2186-8), or single-hole (K-2186-1) drilling. Lavatory shall be ADA compliant. Lavatory shall include sealant. Lavatory shall be Kohler Model K-2186-_____-_____.

FLEUR

PRODUCT INFORMATION

ADA compliant.			
Fixture*:		basin area	water depth
Lavatory		19" x 13"	6-1/8"
Outlet	1-3/4" D.		
* Approximate measurements for comparison only.			
Holes	K-2186-1	K-2186-8	
Spout	1-3/8" D.	1-3/16" D.	
Faucet		1-3/8" D.	
Included Components:			
Adhesive sealant			63034
Cutout template			112365



Roughing-In Notes

*Based on K-8998 with 1" of tailpiece exposed.

(T) Pop-up drain 13-1/2", grid drain 11-3/4".

Supply (Based on 12" riser which may require cutting).	K-2186-1	K-2186-8
(S)	10"	14"

116

PRODUCT DIAGRAM