

Ordering Information

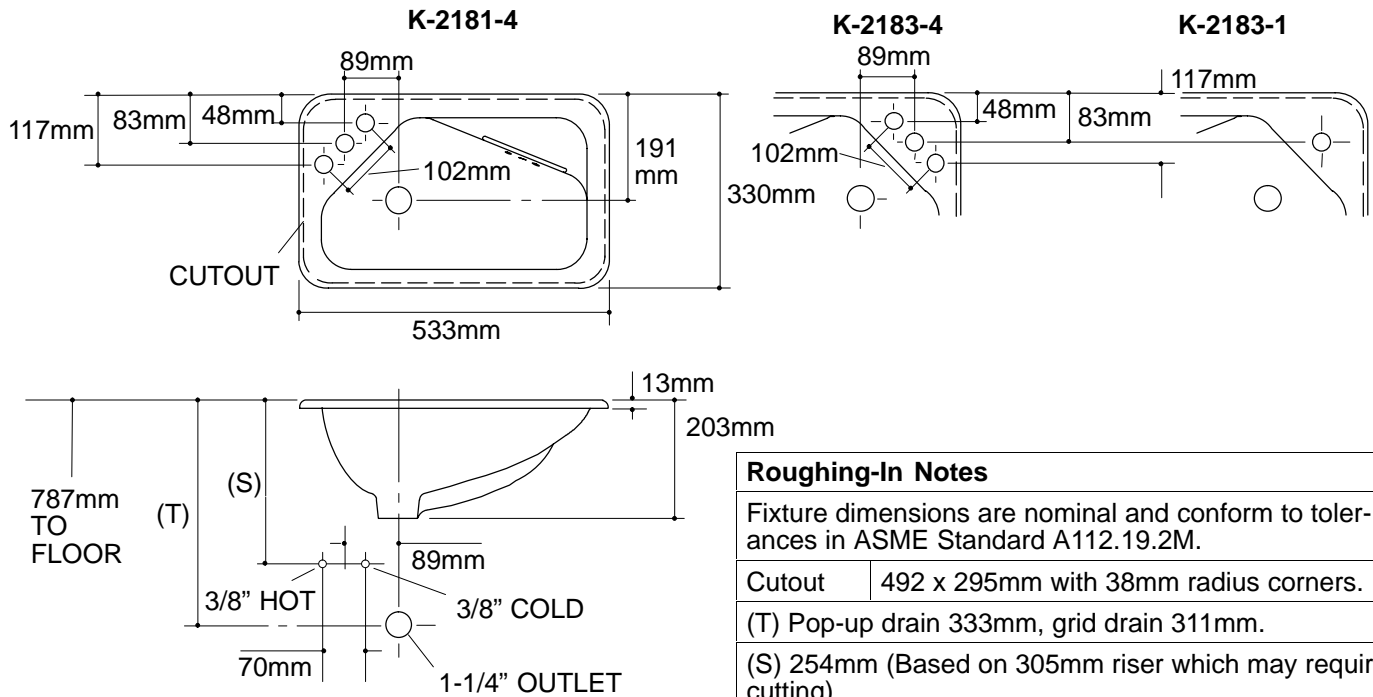
Applicable product:		
102mm drillings on left	K-2181-4	shown
102mm drillings on right	K-2183-4	not shown
Single-hole on right	K-2183-1	not shown

Product Information

Fixture*:		basin area	water depth
Lavatory		432 x 254mm	111mm
Outlet	Ø44mm		
* Approximate measurements for comparison only.			

Holes	K-2181-4	K-2183-4	K-2183-1
Spout	Ø30mm	Ø30mm	Ø35mm
Faucet	Ø30mm	Ø30mm	

Included Components:	
Adhesive sealant	63034
Cutout template	110176



Roughing-In Notes	
Fixture dimensions are nominal and conform to tolerances in ASME Standard A112.19.2M.	
Cutout	492 x 295mm with 38mm radius corners.
(T)	Pop-up drain 333mm, grid drain 311mm.
(S)	254mm (Based on 305mm riser which may require cutting).

1.1>116