

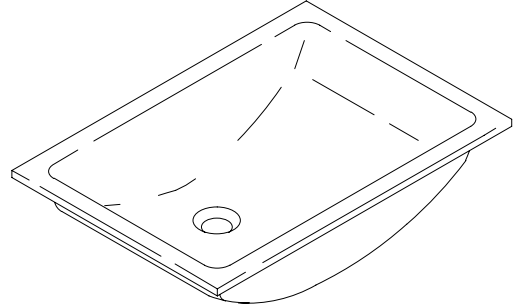
#### FEATURES

- 23-1/4" x 16-1/4"
- Vitreous china
- Tile-in
- With overflow
- With sealant

#### CODES/STANDARDS APPLICABLE

Specified model meets or exceeds the following:

- ASME/ANSI A112.19.2M
- IAPMO/UPC
- Canadian Standards Association (CSA)
- State of Massachusetts



#### COLORS/FINISHES

- 0 White
- Other Refer to Fixtures Price Book for additional colors

#### Accessories:

- CP Polished Chrome
- Other Refer to Faucets Price Book for additional finishes

#### SPECIFIED MODEL:

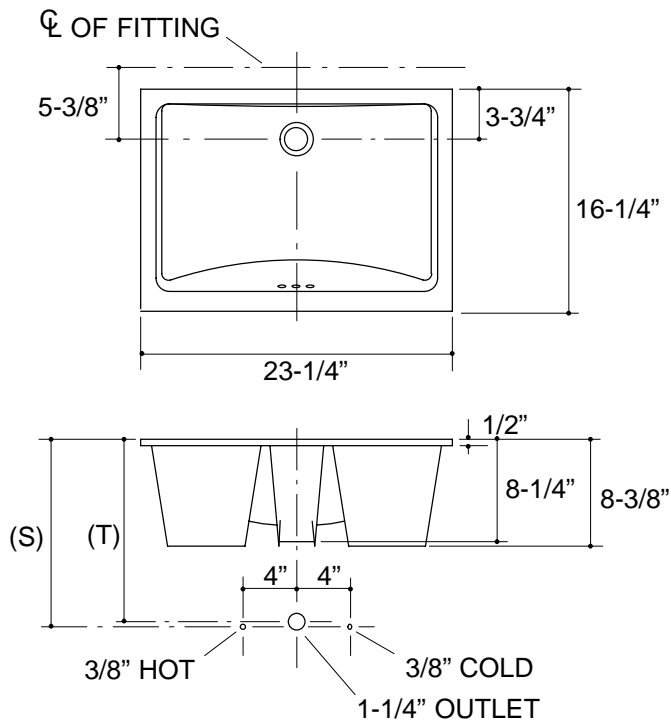
Model	Description	Colors/Finishes	
		<input type="checkbox"/> 0 White	<input type="checkbox"/> Other_____
K-2216	Tile-in lavatory	<input type="checkbox"/> 0 White	<input type="checkbox"/> Other_____
Optional Accessories			
K-8998	Trap	<input type="checkbox"/> CP	<input type="checkbox"/> Other_____

#### PRODUCT SPECIFICATION:

The tile-in lavatory shall be 23-1/4" in length, and 16-1/4" in width. Lavatory shall be made of vitreous china. Lavatory shall have overflow. Lavatory shall include sealant. Lavatory shall be Kohler Model K-2216-\_\_\_\_\_.

## PRODUCT INFORMATION

Fixture*:		basin area	water depth
Lavatory		21" x 14"	4-7/8"
Outlet	1-3/4" D.		
* Approximate measurements for comparison only.			
Included Components:			
Adhesive sealant		63034	
Cutout template		110281	



### Roughing-In Notes

(T) Pop-up drain typically 13-5/8".

(S) 14" (Based on 12" riser which may require cutting).

4-5/8" minimum faucet spout length needed to reach over rim into basin.

1.15>116

## PRODUCT DIAGRAM