

Ordering Information

Accessories/hardware:		
Trap	K-8998	recommended
Wood rim	K-2218	optional

Product Information

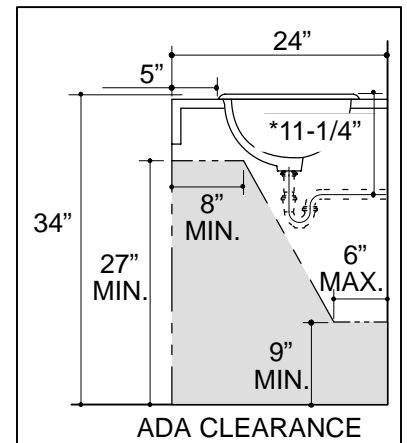
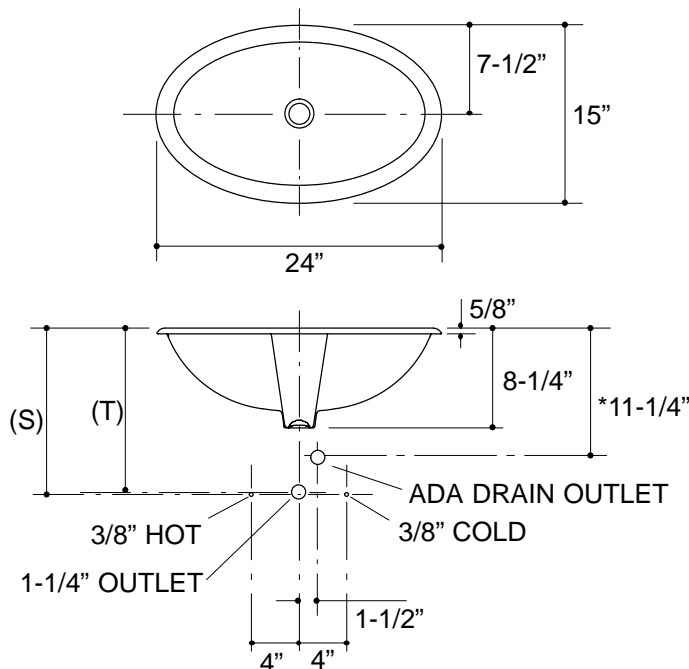
ADA compliant.

Fixture*:		basin area	water depth
Lavatory		21" x 12"	4-7/8"
Outlet	1-3/4" D.		

* Approximate measurements for comparison only.

Included Components:

Adhesive sealant	63034
Adjustable linkage	40372
Cutout template	110359



Roughing-In Notes

Fixture dimensions are nominal and conform to tolerances in ASME Standard A112.19.2M.

*Based on K-8998 with 1" of tailpiece exposed.

(T) Pop-up drain 13-13/16".

(S) 14" (Based on 12" riser which may require cutting).

4-5/8" minimum faucet spout length needed to reach over rim into basin.