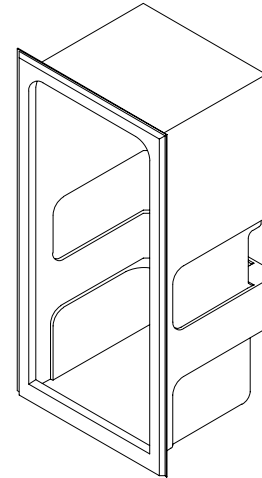


BARRIER-FREE SHOWER MODULE

K-12455, K-12456

FEATURES

- 42" x 36-1/2" x 83-1/4"
- Acrylic
- Integral soap ledge on left or right
- Nylon grab bars



CODES/STANDARDS APPLICABLE

Specified model meets or exceeds the following:

- ANSI Z124.2
- IAPMO/UPC
- State of Massachusetts

COLORS/FINISHES

- 0 White
- Other Refer to Fixtures Price Book for additional colors

Accessories:

- CP Polished Chrome
- PB Polished Brass
- SV Nevada Silver™
- BR New England Brass™
- Other Refer to Faucets Price Book for additional finishes
- NA None Applicable

SPECIFIED MODEL:

Model	Description	Colors/Finishes	
K-12455	Shower module with soap ledge on left	<input type="checkbox"/> 0 White	<input type="checkbox"/> Other_____
K-12456	Shower module with soap ledge on right	<input type="checkbox"/> 0 White	<input type="checkbox"/> Other_____

Recommended Accessories				
K-9132	Drain	<input type="checkbox"/> CP	<input type="checkbox"/> PB	<input type="checkbox"/> Other_____
Optional Accessories				
K-1570	Dome light			<input type="checkbox"/> NA
K-9883	Glassworks™ pivot shower door*	<input type="checkbox"/> SV	<input type="checkbox"/> BR	

* Refer to Fixtures Price Book for glass options.

PRODUCT SPECIFICATION:

The barrier-free shower module shall be 42" in length, 36-1/2" in width, and 83-1/4" in height. Shower module shall be made of acrylic. Shower module shall have an integral soap ledge on left or right. Shower module shall have nylon grab bars. Shower module shall be Kohler Model K-_____-_____.

FREEWILL™

PRODUCT INFORMATION

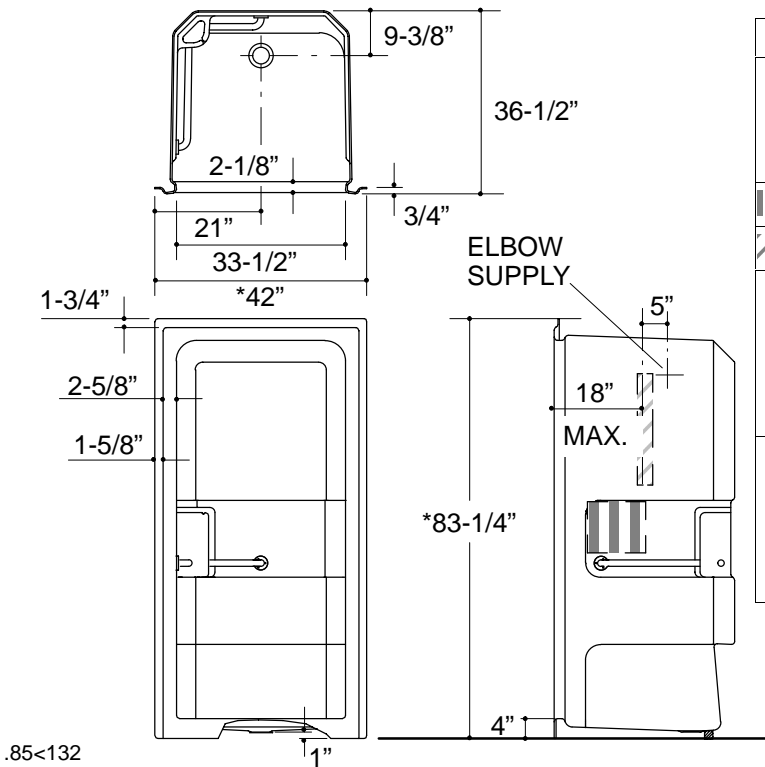
Fixture:	
Weight	160 lbs.
Configuration	1-piece
Drain Outlet	3-1/4" D.

INSTALLATION NOTES

Fixture not drilled for supply fittings.

Shimming may be required to level fixture.

For optimum accessibility, specify faucets and fittings to install and operate within the control area shown.



.85<132

Roughing-In Notes	
Stud opening tolerance (+ 1/4" – 0"). When fire rated wall is specified, dimensions are to the inside of the wall board. Some shimming between stud frame and fixture may be required.	
	Represents control area for faucets.
	Represents 24" wall mount slide bar.
<p>36" x 60"</p>	Represents clear floor space for 36" x 60" side entrance.
<p>48" x 60"</p>	Represents clear floor space for 48" x 60" front entrance.

PRODUCT DIAGRAM