

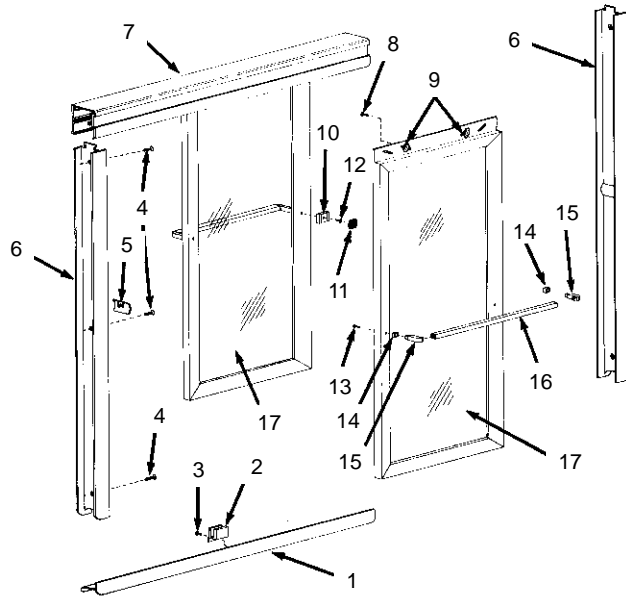
K-9870

GLASSWORKS™ FRAMED BYPASS SHOWER DOOR

ORDER BY KIT NUMBER OR PART NUMBER, NOT ITEM NUMBER OR KIT LETTER.

Ordering Options

Item	Part No. or Kit
1	66697†
2	A
3	B
4	C
5	D
6	66698‡
7	66715††
8, 9	E
10	F
11	G
12	H
13	I
14	J
15	67428
16	K
17	L



FRAMED GLASS CHART "M"

Description

Left Designer Glass Door
Left Obscure Glass Door
Right Designer Glass Door
Right Obscure Glass Door

Kit or Part No.

66717‡
66721‡
66718‡
66716‡

Kit Ordering Information

Kit	Kit Part No.	Kit Name	Kit Contents
A	62325	Guide	5 ea., Item 2
B	62317 †	Truss Head Screw (#6 x 3/8")	10 ea., Item 3
C	62308 †	Truss Head Screw (#8 x 1-1/2")	20 ea., Item 4
D	62326	Bumper	5 ea., Item 5
E	62324	Door Roller (w/Screw)	1 ea., Items 8 and 9
F	62303	Door Stop	5 ea., Item 10
G	62305	Kohler Decal	10 ea., Item 11
H	62309	Flat Head Screw (#10-24 x 1-1/8")	20 ea., Item 12
I	62310 †	Truss Head Screw (#10-24 x 7/8")	20 ea., Item 13
J	62335 †	Trim Ring	5 ea., Item 14
K	62219 †	Towel Bar Kit	1 ea., Item 16
L	—	Framed Glass Doors	See Framed Glass Chart "M" above

KITS MAY INCLUDE EXTRA PARTS

NOTES:

† Service tools required, refer to instructions packaged with kit.

LEGEND:

‡ Specify Finish.