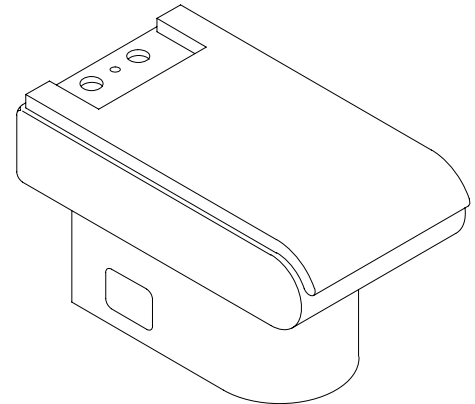


FEATURES

- Vitreous china
- Drilled for fixture-mounted bidet faucet with horizontal rim spray and wall-mounted vacuum breaker
- Includes solid plastic cover



CODES/STANDARDS APPLICABLE

Specified model meets or exceeds the following:

- ASME/ANSI A112.19.2M
- IAPMO/UPC
- Canadian Standards Association (CSA)
- State of Massachusetts

COLORS/FINISHES

- 0 White
- Other Refer to Fixtures Price Book for additional colors

Accessories:

- CP Polished Chrome
- PB Polished Brass
- Other Refer to Faucets Price Book for additional finishes

SPECIFIED MODEL:

Model	Description	Colors/Finishes		
K-4858	Bidet	<input type="checkbox"/> 0 White	<input type="checkbox"/> Other_____	
Optional Accessories				
K-7956-2	Pillows™ faucet	<input type="checkbox"/> CP	<input type="checkbox"/> PB	<input type="checkbox"/> Other_____
K-8244	Taboret™ faucet	<input type="checkbox"/> CP	<input type="checkbox"/> PB	<input type="checkbox"/> Other_____

PRODUCT SPECIFICATION:

The bidet shall be made of vitreous china. Bidet shall be drilled for fixture-mounted bidet faucet with horizontal rim spray and wall-mounted vacuum breaker. Bidet shall include solid plastic cover. Bidet shall be Kohler Model K-4858-_____.

PILLOW TALK™

PRODUCT INFORMATION

Fixture:	
Configuration	Faucet deck*
Outlet	1-3/4" D.
Spray hole	3/8" D.
Faucet hole	1-3/8" D.
Pop-up rod hole	5/8" D.
Included Components:	
Cover	74925
Floor screws	21402
*Kohler faucet required, refer to specification guides.	

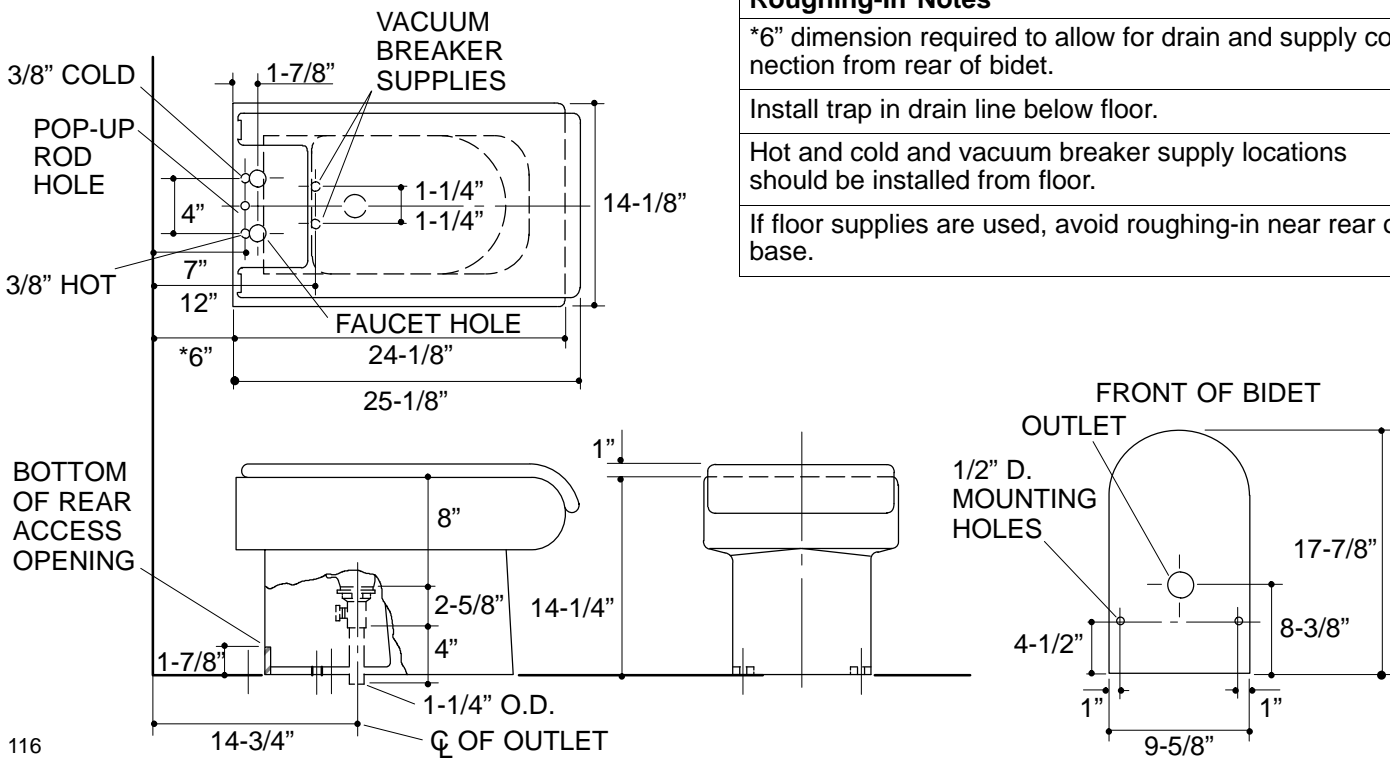
Roughing-In Notes

*6" dimension required to allow for drain and supply connection from rear of bidet.

Install trap in drain line below floor.

Hot and cold and vacuum breaker supply locations should be installed from floor.

If floor supplies are used, avoid roughing-in near rear of base.



116

PRODUCT DIAGRAM