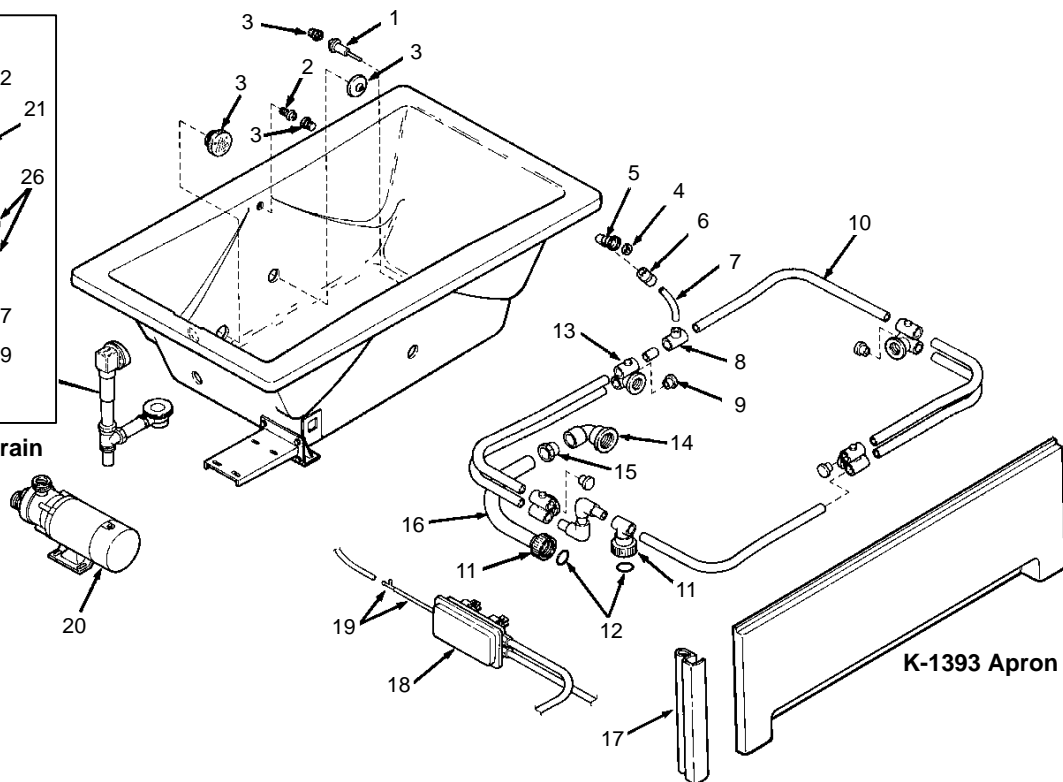


K-7169 Clearflo™ Drain



K-1393 Apron

SERVICE PARTS

ITEM NO.	PART NO.	QTY.	DESCRIPTION	SPECIFICATIONS
1	105590 ■ §	1	Actuator Assembly	
2	60056 ■ ‡	1	Bonnet	
3	K-9682 ■ ‡	1	Micro Jet Trim Kit	
4	35515	1	Gasket	
5	67653	1	Bonnet Assembly	
6	60573	1	Adapter	
7		1	Tube	1/2" Nom. PVC Sch. 40
8	63352	1	Tee	1" x 1" x 1/2" Slip PVC Sch. 40
9	60566	4	Plug	
10		7	Tube	1" Nom. PVC Sch. 40
11	67724	2	Union and Tee Assembly	
12	60980	2	O-Ring	#226
13	61715 ■ ‡	4	Jet Assembly	
14	61580 ■ ‡	1	Suction Assembly	
15	60545	1	Reducer Bushing	1-1/2" x 1-1/4" PVC Sch. 40
16		1	Tube	1-1/4" Nom. PVC Sch.40
17	67611 ‡	2	Vinyl Extrusion	
18	60760 ■	1	Power Panel Assembly	
19	60655 *	1	Bleed Tee and Tube Assembly	
20	60934 ■	1	Motor and Pump Assembly	1/2 HP Kohler
	60810 ■	1	Motor and Pump Assembly	1/2 HP Marlow Gemini
21	30970 ‡	1	Cover	
22	30465	1	Drain Hood Assembly	
23	30929	1	Gasket Kit	
24	21456	1	Lift Rod Assembly	
25	30972 ‡	1	Toggle Assembly	
26	21318 ‡	1	Stopper and O-Ring	
27	30950 ‡	1	Stopper Body	
28	31025	2	O-Ring Kit (Contains 2)	
29	30930	1	Gasket Kit	

SERVICE KITS

NOTES

- Parts Further Exploded Within This Catalog. Reference Index.
- § Reference Number Only.
- ‡ Specify Finish.
- * For 120" of Plastic Tube, Order #61972.