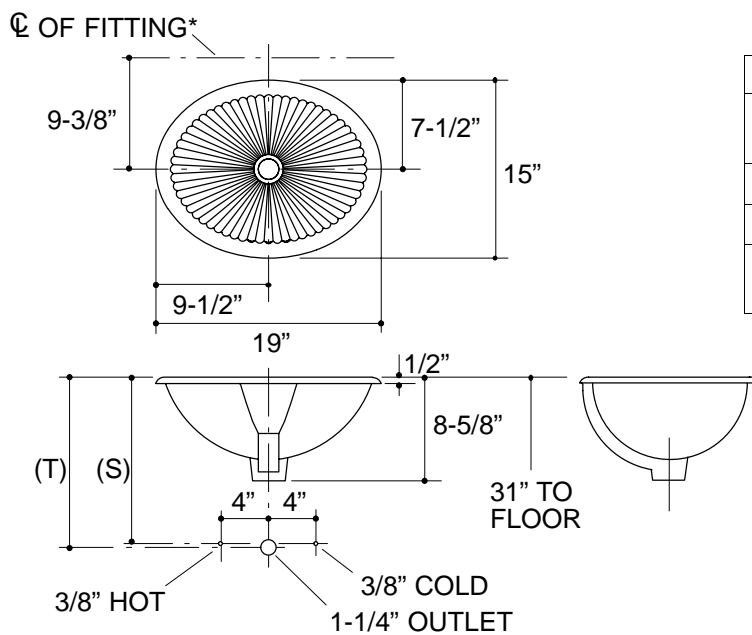


Product Information

Fixture*:		basin area	water depth
Lavatory		17" x 13"	5"
Outlet	1-3/4" D.		

* Approximate measurements for comparison only.

Included Components:	
Adhesive sealant	63034
Adjustable linkage	40372
Cutout template	106837



Roughing-In Notes
Fixture dimensions are nominal and conform to tolerances in ASME Standard A112.19.2M.
(T) Pop-up drain 14-3/16".
(S) 14" (Based on 14" riser which may require cutting).
*Spout must be 4-1/2" long (min.) for adequate clearance into lavatory.