

Product Information

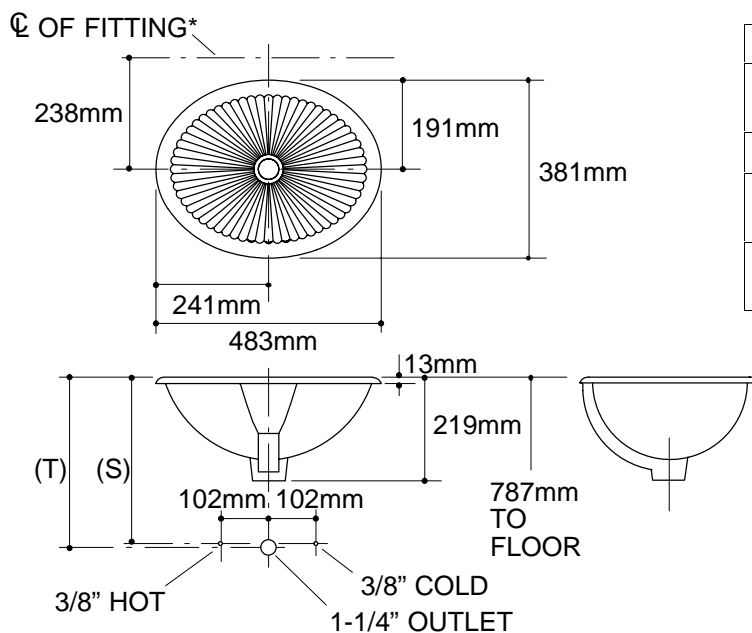
Fixture*:		basin area	water depth
Lavatory		432 x 330mm	127mm
Outlet	Ø44mm		

* Approximate measurements for comparison only.

Included Components:	
Adhesive sealant	63034
Adjustable linkage	40372
Cutout template	106837

Installation Notes

Refer to installation instructions included with fixture before beginning installation.



Roughing-In Notes

Fixture dimensions are nominal and conform to tolerances in ASME Standard A112.19.2M.

(T) Pop-up drain 360mm.

(S) 356mm (Based on 356mm riser which may require cutting).

*Spout must be 114mm long (min.) for adequate clearance into lavatory.