

Ordering Information

Applicable product:		
Left outlet	K-1561-AB	shown
Right outlet	K-1562-AB	not shown
Accessories/hardware:		
Drain	K-7161-AF	recommended
Glassworks shower door	K-9855	optional
Glassworks steam door	K-9846	
Steam generator	K-1559-BA	optional

Product Information

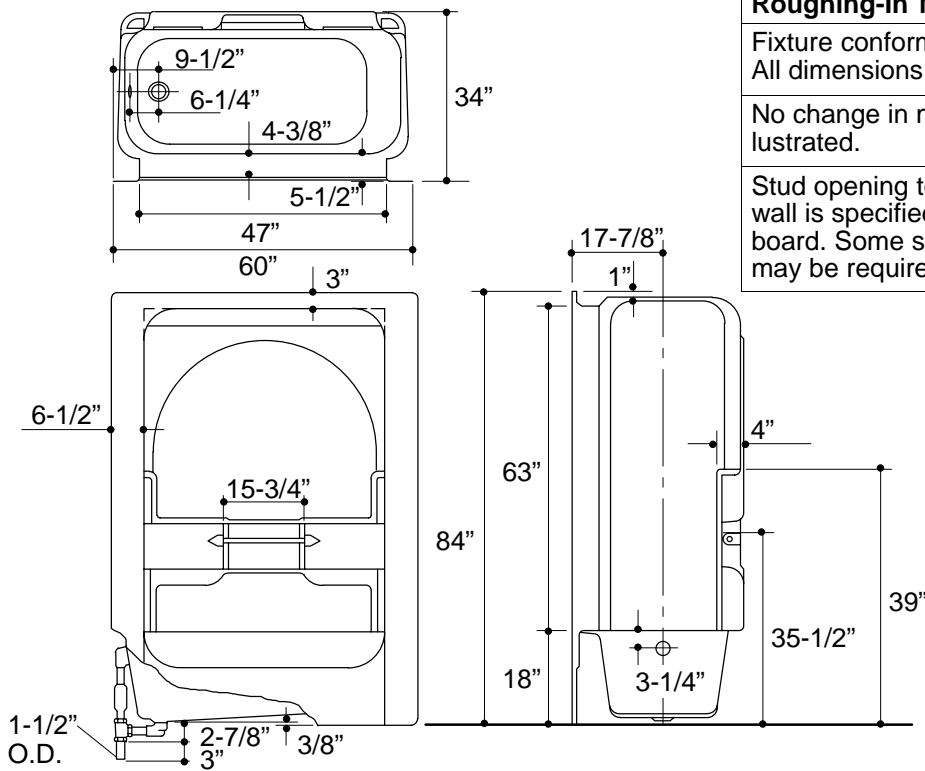
Fixture*:	basin area	top area	weight
Bathing well	42" x 21"	55" x 25"	200 lbs.
	water depth	capacity	
To overflow	12-1/2"	53 gals.	
Configuration			1-piece
Drain Outlet			3-3/8" D.
* Approximate measurements for comparison only.			

Installation Notes

Refer to installation instructions included with fixture before beginning installation.

Fixture not drilled for supply fittings.

Shimming may be required to level fixture.



Roughing-In Notes

Fixture conforms to ANSI Standard Z124.1 and Z124.2. All dimensions are nominal.

No change in measurements if connected with drain illustrated.

Stud opening tolerance (+ 1/4" - 0"). When fire rated wall is specified, dimensions are to the inside of the wall board. Some shimming between stud frame and fixture may be required.

.85<132