

Ordering Information

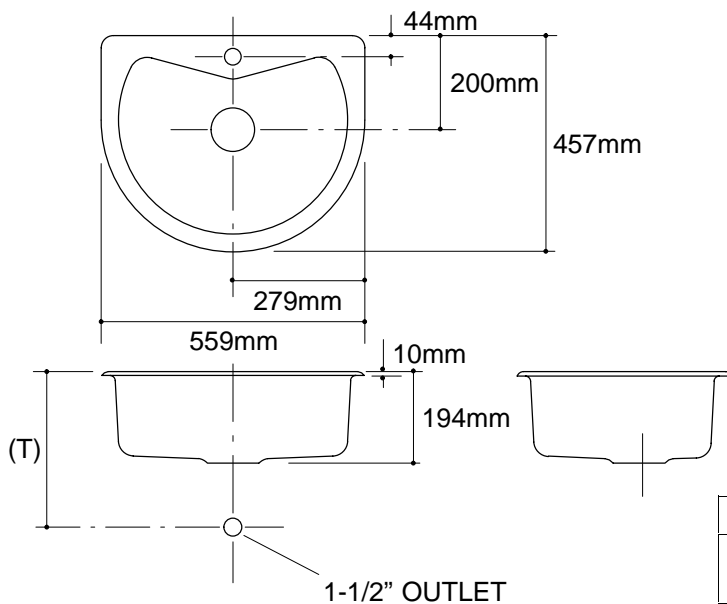
Applicable product:		
One-hole sink	K-6558-1	shown
Accessories/hardware:		
Accessory tray	K-6556	optional

Product Information

Fixture*:		basin area	water depth
Sink		483 x 330mm	178mm
Outlet	Ø92mm		
Faucet holes	Ø35mm		
* Approximate measurements for comparison only.			
Included Components:			
Cutout template			106849

Installation Notes

Refer to installation instructions included with fixture before beginning installation.



Roughing-In Notes
Fixture dimensions are nominal and conform to tolerances in ASME/ANSI Standard A112.19.1M.
(T) Drain typically 330mm.