

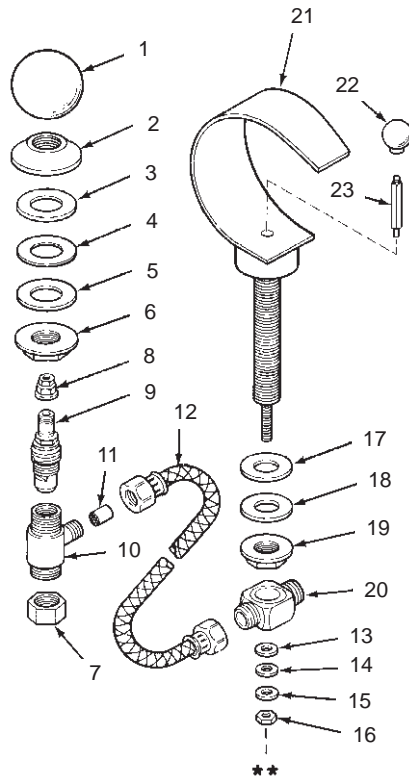
# KOHLER® SERVICE PARTS

## LAVATORY FITTINGS

**K-7914** CIRRUS SHEETFLOW LAVATORY FAUCET

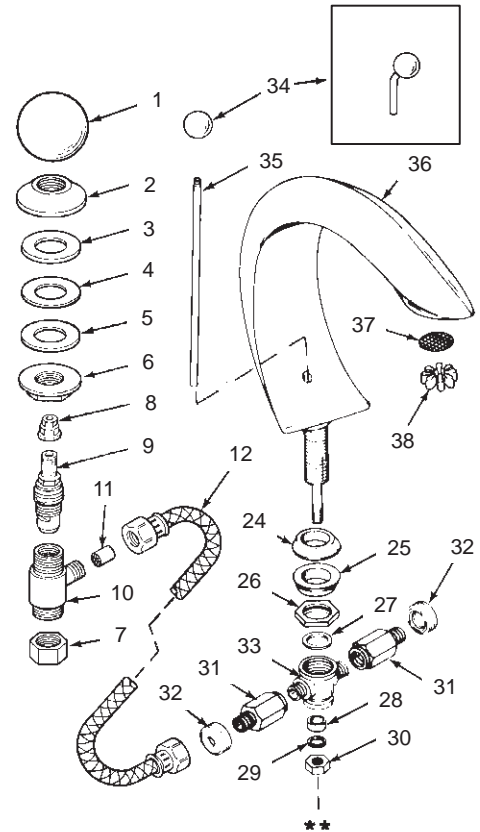
**K-7916** CIRRUS LAVATORY FAUCET WITH CRESCENT SPOUT (4")  
**K-7916-R** CIRRUS LAVATORY FAUCET WITH CRESCENT SPOUT (5")

ORDER BY KIT NUMBER OR PART NUMBER, NOT ITEM NUMBER OR KIT LETTER.



### Ordering Options

Item	Part No. or Kit
1	A
2	B
3	C
4, 5, 6	D
7	E
8	F
9	30583
10	23175
11	G
12	H
13, 14, 15, 16	I
17, 18, 19	J
20	30586
21	30589†
22, 23	K
24, 25, 26, 27, 28,	L
29, 30	L
31	M
32	N
33	40031
34	O or S
35	T or U
36	Q or R
37, 38	P



### Kit Ordering Information

Kit	Kit Part No.	Kit Name
A	500201 ‡*	Handle Retrofit Kit
B	30581 ‡	Escutcheons
C	30582	Gaskets
D	23172	Valve Mounting Hardware
E	30230	Coupling Nuts
F	30502	Spline Adapters (Plastic)
G	22264	Flow Restrictor
H	23173	Hoses (Includes Integral Washers)
I	30587	Lift Rod Hardware
J	30588	Spout Mounting Hardware
K	30590 ‡	Lift Rod
L	30274	Gasket Service Kit
M	21221	Flow Restrictor
N	30310	Bushing
O	21215 ‡	Lift Knob (4" Spout)
P	43185	Stream Breaker
Q	21219 ‡	Spout (4")
R	500364 ‡	Spout (5")
S	500365 ‡	Lift Knob (5" Spout)
T	30585 ‡	Lift Rod (4" Spout)
U	500366 ‡	Lift Rod (5" Spout)

### Kit Contents

2 ea., Items 1, 2, 3, 8, and 9
2 ea., Item 2
2 ea., Item 3
2 ea., Items 4, 5, and 6
2 ea., Item 7
2 ea., Item 8
2 ea., Item 11
2 ea., Item 12
1 ea., Items 13 thru 16
1 ea., Items 17, 18, and 19
1 ea., Items 22 and 23
1 ea., Items 24 thru 30
2 ea., Item 31
2 ea., Item 32
1 ea., Item 34
1 ea., Items 37 and 38
1 ea., Item 36
1 ea., Item 36
1 ea., Item 34
1 ea., Item 35
1 ea., Item 35

### KITS MAY INCLUDE EXTRA PARTS

#### NOTES:

- \* Handles manufactured before 1989 (30619) are no longer available. Refer to instructions packaged with kit.
- \*\* For pop-up drain, see K-7701.

#### LEGEND:

- ‡ Specify Finish.