

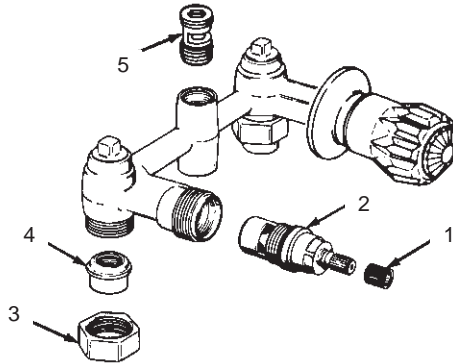
KOHLER® SERVICE PARTS

BATH AND SHOWER FITTINGS

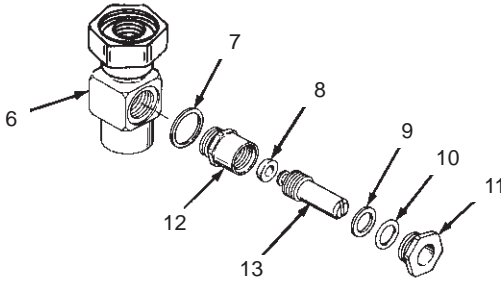
| | | |
|-------------------|----------|--------------------------------|
| K-6842-FCV | BRAVURA | BATH AND SHOWER VALVE ASSEMBLY |
| K-7004-FCV | FLAIR II | BATH AND SHOWER VALVE ASSEMBLY |
| K-7010-FCV | FLAIR II | BATH AND SHOWER VALVE ASSEMBLY |
| K-7226-FCV | FLAIR II | SHOWER VALVE ASSEMBLY |
| K-6931-FCV | ALTERNA | BATH AND SHOWER VALVE ASSEMBLY |

ORDER BY KIT NUMBER OR PART NUMBER, NOT ITEM NUMBER OR KIT LETTER.

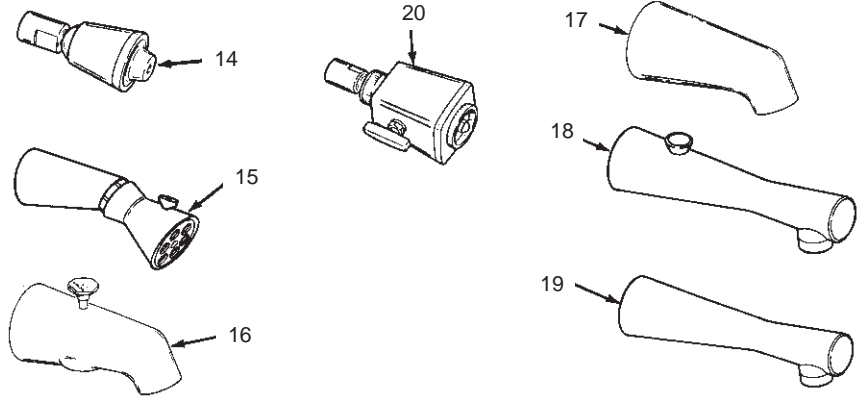
| Ordering Options | |
|-----------------------|-----------------|
| Item | Part No. or Kit |
| VALVE ASSEMBLY | |
| 1 | A |
| 2 | 30430 |
| 3, 4 | B or C |
| 5 | D |



| Ordering Options | |
|------------------|-----------------|
| Item | Part No. or Kit |
| STOPS | |
| 6 | E or F |
| 7, 8, 9, 10 | E or F, H |
| 11, 12, 13 | E or F, G, H |



| Ordering Options | |
|-------------------------------|-----------------|
| Item | Part No. or Kit |
| SPOUTS AND SHOWERHEADS | |
| 14 | K-7371‡■ |
| 15 | K-6844‡■ |
| 16 | 38776‡■ |
| 17 | 38772‡ |
| 18 | K-6832‡■ |
| 19 | K-6830‡ |
| 20 | K-6944‡■ |



OVER

| | |
|---------------|---|
| NOTES: | LEGEND: |
| | ‡ Specify Finish. |
| | § Reference Number Only. |
| | ■ Parts further exploded in catalog; see INDEX. |

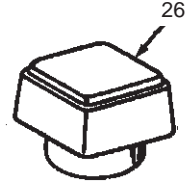
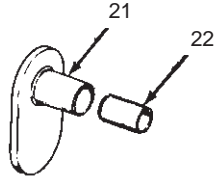
BATH AND SHOWER FITTINGS

| | | |
|-------------------|----------|--------------------------------|
| K-6842-FCV | BRAVURA | BATH AND SHOWER VALVE ASSEMBLY |
| K-7004-FCV | FLAIR II | BATH AND SHOWER VALVE ASSEMBLY |
| K-7010-FCV | FLAIR II | BATH AND SHOWER VALVE ASSEMBLY |
| K-7226-FCV | FLAIR II | SHOWER VALVE ASSEMBLY |
| K-6931-FCV | ALTERNA | BATH AND SHOWER VALVE ASSEMBLY |

ORDER BY KIT NUMBER OR PART NUMBER, NOT ITEM NUMBER OR KIT LETTER.

Ordering Options

| Item | Part No. or Kit |
|--------------------------------|-----------------|
| ESCUTCHEONS AND HANDLES | |
| 21, 22 | I |
| 23 | J |
| 24 | K |
| 25 | L |
| 26 | M |



Kit Ordering Information

| Kit | Kit Part No. | Kit Name | Kit Contents |
|-----|--------------|-------------------------------------|------------------------|
| A | 48502 | Spline Adapters | 2 ea., Item 1 |
| B | 30203 | Unions (5/8" O.D. Copper) | 2 ea., Items 3 and 4 |
| C | 30204 | Unions (1/2" I.P.) | 2 ea., Items 3 and 4 |
| D | 30521* | Aspirator Kit | 1 ea., Item 5 |
| E | 21310 | Stop Replacement (1/2" I.P.) | 1 ea., Items 6 thru 13 |
| F | 21314 | Stop Replacement (5/8" O.D. Copper) | 1 ea., Items 6 thru 13 |
| G | 21434 | Stem Assembly | 2 ea., Items 7 thru 13 |
| H | 21433 | Valve Service Kit | 2 ea., Items 7 thru 10 |
| I | 30095‡ | Oval Escutcheon Kit | 2 ea., Items 21 and 22 |
| J | 30071‡ | Escutcheons | 2 ea., Item 23 |
| K | 106299§■ | Flair II Handle Options (Large) | See INDEX. |
| L | 106890§■ | Bravura Handle Options (Large) | See INDEX. |
| M | 106478§■ | Alterna Handle Options (Large) | See INDEX. |

KITS MAY INCLUDE EXTRA PARTS

NOTES:

* Kit contains two models; refer to instructions packaged with kit.

LEGEND:

- ‡ Specify Finish.
- § Reference Number Only.
- Parts further exploded in catalog; see INDEX.