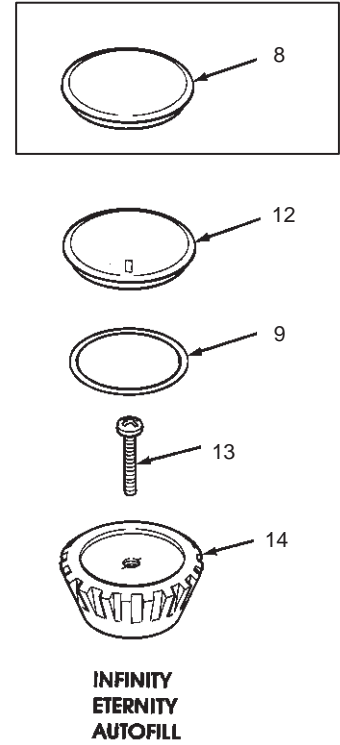
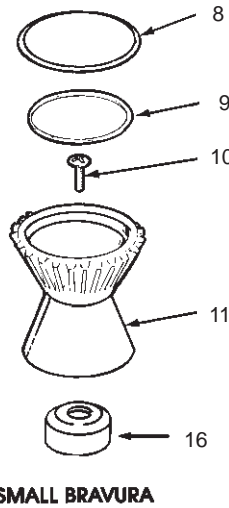
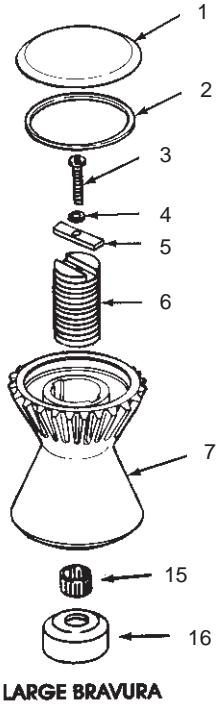


106890§ **BRAVURA** **HANDLE OPTIONS**

ORDER BY KIT NUMBER OR PART NUMBER, NOT ITEM NUMBER OR KIT LETTER.

Ordering Options	
Item	Part No. or Kit
1	A
2, 3, 4, 5, 6	B, C
7	48691‡
8	D
9	48694
10	E
11	48697‡
12	F
13	33357
14	31435‡
15	C
16	G



Kit Ordering Information			
Kit	Kit Part No.	Kit Name	Kit Contents
A	30023 ‡	Bravura Caps	2 ea., Item 1
B	20352	Spline Extension Kit (Valvet Valve)	2 ea., Items 2 thru 6
C	500252	Spline Extension Kit (Ceramic Valve)	1 ea., Items 2 thru 6, and 15
D	48695 ‡	Cap	1 ea., Item 8
E	30105	Screws	2 ea., Item 10
F	62488 ‡	Cap (Indexed for Autofill)	1 ea., Item 12
G	500253	Stabilizer Kit	2 ea., Item 16

KITS MAY INCLUDE EXTRA PARTS

<p>NOTES:</p>	<p>LEGEND:</p> <p>‡ Specify Finish.</p> <p>§ Reference Number Only.</p>
----------------------	--