

## Ordering Information

Accessories/hardware:		
Profile receptor	K-9858	optional
Captiva™ receptor	K-9532	optional

## Product Information

Fixture:	
Weight, shower enclosure	98 lbs.
Glass, tempered safety	clear
Included Components:	
Frames and hardware	K-9555
Shower door	K-9550
Side panel	K-9551

## Installation Notes

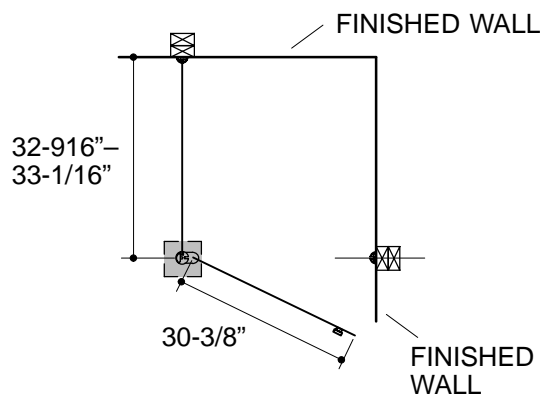
Refer to installation instructions included with fixture before beginning installation.

### Roughing-In Notes

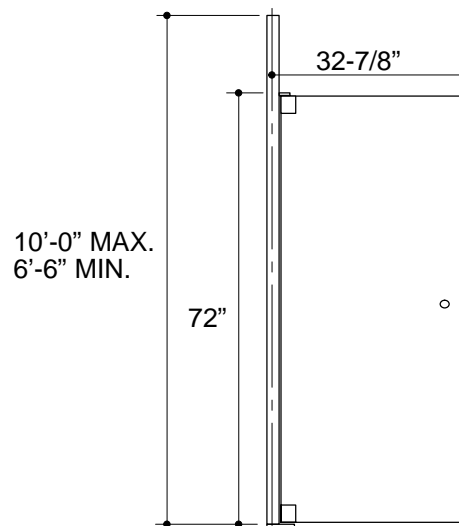
Tempered glass conforms to ANSI Z97.1.

Structural support required in the ceiling above these locations.

**Leave studs exposed.** Shower enclosure wall jambs must be installed directly to studs.



TOP VIEW



FRONT VIEW