

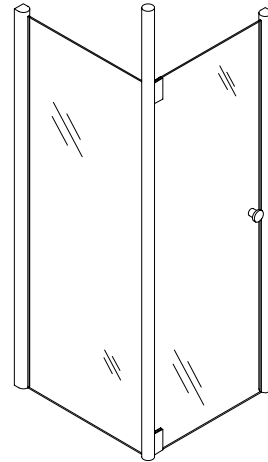
#### FEATURES

- 36" shower, 32-3/4" W x 72" H
- 10' aluminum support post
- 3/8" glass door panel
- 1/4" clear tempered glass side panel
- Color-matched towel bar (with colored posts only)
- Includes wall jambs and hardware

#### CODES/STANDARDS APPLICABLE

Specified model meets or exceeds the following:

- ANSI Z97.1 (tempered glass)



#### COLORS/FINISHES

- SV Nevada Silver™
- BR New England Brass™
- Other Refer to Fixtures Price Book for additional colors

#### Accessories:

- 0 White
- Other Refer to Fixtures Price Book for additional colors

#### SPECIFIED MODEL:

Model	Description	Colors/Finishes		
		<input type="checkbox"/> SV	<input type="checkbox"/> BR	<input type="checkbox"/> Other_____
K-9856	Shower door	<input type="checkbox"/> SV	<input type="checkbox"/> BR	<input type="checkbox"/> Other_____
<b>Optional Accessories</b>				
K-9858	Profile shower receptor	<input type="checkbox"/> 0 White	<input type="checkbox"/> Other_____	
K-9532	Captiva™ shower receptor	<input type="checkbox"/> 0 White	<input type="checkbox"/> Other_____	

#### PRODUCT SPECIFICATION:

The shower door shall be 32-3/4" in width, and 72" in height. Shower door shall be used for a 36" shower. Shower door shall have 10' aluminum support post. Shower door shall have 3/8" glass door panel. Shower door shall have 1/4" clear tempered glass side panel. Shower door shall have color matched towel bar (with colored posts only). Shower door shall include wall jambs and hardware. Shower door shall be Kohler Model K-9856-\_\_\_\_\_.

# PROFILE®

## PRODUCT INFORMATION

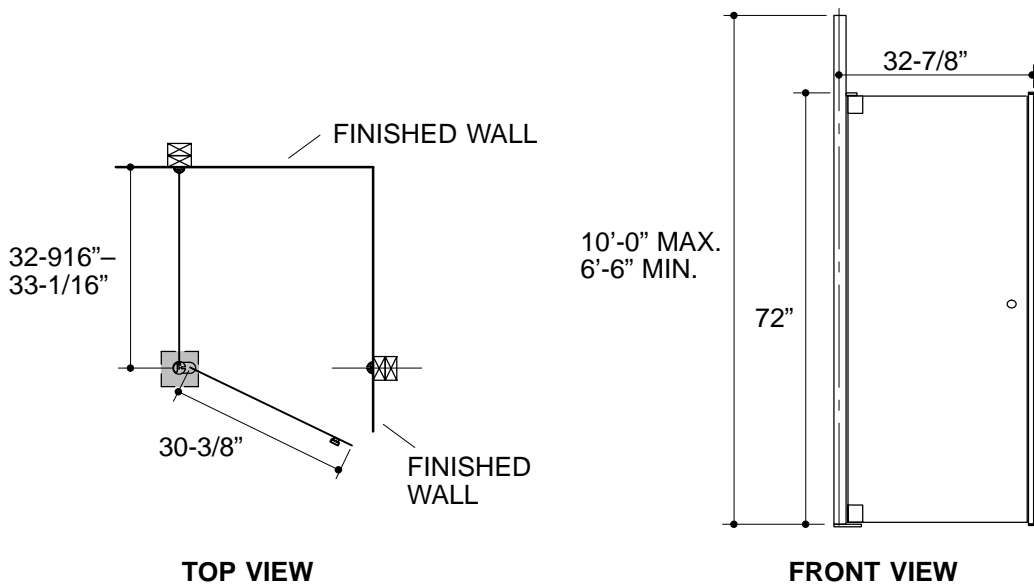
Fixture:	
Weight, shower enclosure	98 lbs.
Glass, tempered safety	clear

Included Components:	
Frames and hardware	K-9555
Shower door	K-9550
Side panel	K-9551

### Roughing-In Notes

	Structural support required in the ceiling above these locations.
--	---

**Leave studs exposed.** Shower enclosure wall jambs must be installed directly to studs.



18

## PRODUCT DIAGRAM