

KOHLER® SERVICE PARTS

TOILET AND BIDET FITTINGS

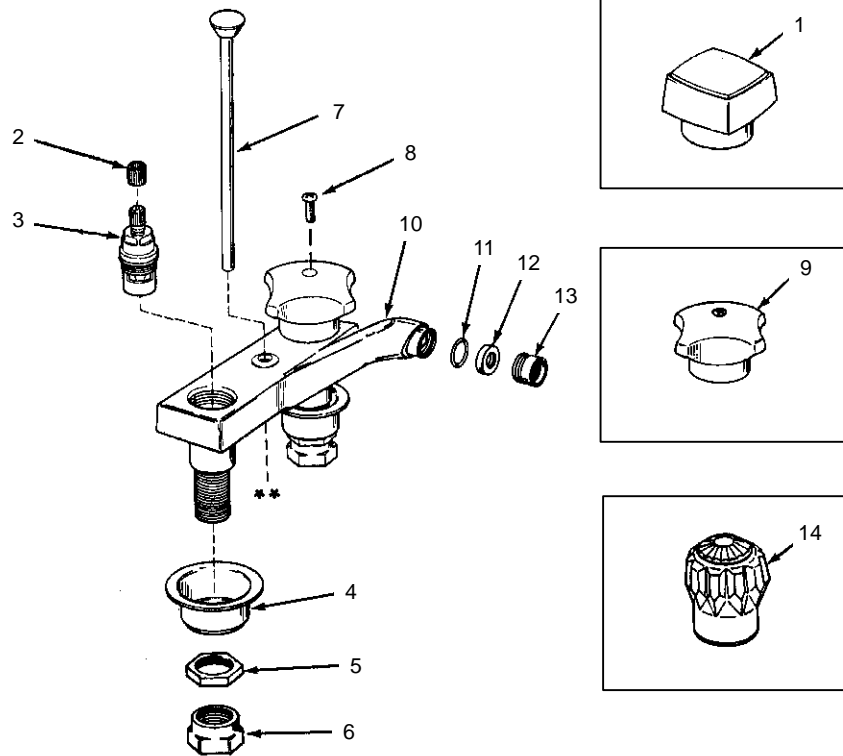
K-9299-CV ALTERNA
K-9279-FCV FLAIR II
K-9279-TCV TRITON II

BIDET FITTING
BIDET FITTING
BIDET FITTING

ORDER BY KIT NUMBER OR PART NUMBER, NOT ITEM NUMBER OR KIT LETTER.

Ordering Options

Item	Part No. or Kit
1	A
2	B
3	C
4, 5	D
6	D, J
7	E or F
8	H
9	G
10	*
11	42160
12	21174
13	30072‡
14	I



Kit Ordering Information

Kit	Kit Part No.	Kit Name	Kit Contents
A	106478 §■	Alterna Handle Options	See INDEX.
B	48502	Spline Adapters	2 ea., Item 2
C	30430	Ceramic Valve	2 ea., Item 3
D	30227	Mounting Hardware Kit	2 ea., Items 4, 5, and 6
E	51196 ‡	Lift Rod (Triton, Flair)	1 ea., Item 7
F	29701 ‡	Lift Rod (Alterna)	1 ea., Item 7
G	30024 ‡	Triton II Handles	2 ea., Item 9
H	30097 ‡	Screw Kit	2 ea., Item 8
I	106299 §■	Flair Handle Option	See INDEX.
J	30230 ‡	Coupling Nut Kit	2 ea., Item 6

KITS MAY INCLUDE EXTRA PARTS

NOTES:

- * Not available as a service part.
- ** For pop-up drain, see K-7701.

LEGEND:

- ‡ Specify Finish.
- § Reference Number Only.
- Parts further exploded in catalog; see INDEX.