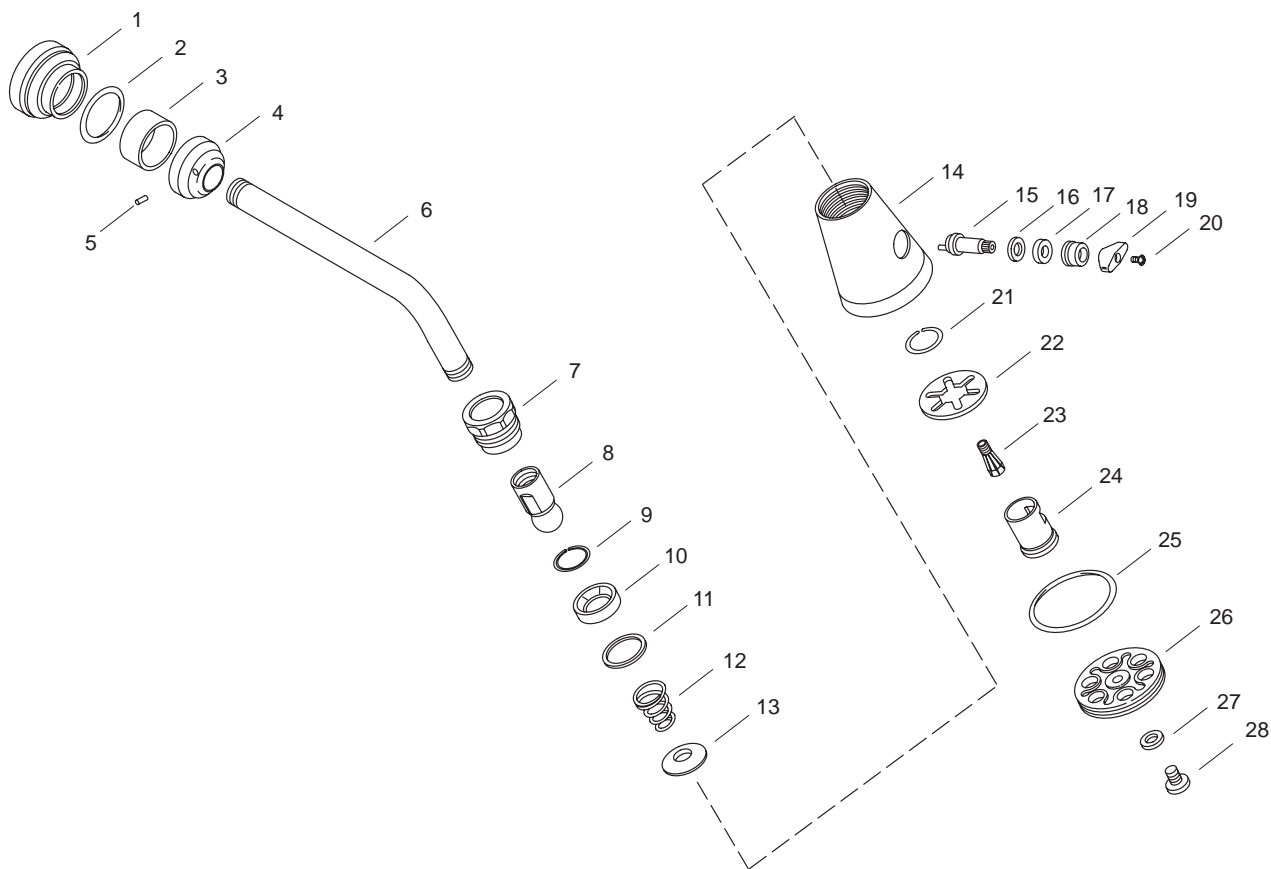


# KOHLER® SERVICE PARTS

## IV GEORGES BRASS™ SHOWERHEAD K-6812-\*\*-AA, K-6812-\*\*-BA



### SERVICE PARTS

| ITEM NO. | PART NO. | DESCRIPTION                  |
|----------|----------|------------------------------|
| 1        | 36728    | Escutcheon                   |
| 2        | 41364    | O-Ring, -.025 x 1.176        |
| 3        | 36638    | Sleeve, Large                |
| 4        | 36662    | Collar, Shower Arm           |
| 5        | 32966    | Screw, 8-32 NC-2A x .188     |
| 6        | 24898    | Shower Arm                   |
| 7        | 29417    | Locknut, Multi-Spray Head    |
| 8        | 57346    | Ball Joint Assembly          |
| 9        | 52843    | Washer, Split                |
| 10       | 24981    | Packing for Shower Head      |
| 11       | 29266    | Washer, 5/7/64 x 1-11/64     |
| 12       | 29497    | Spring, Conical              |
| 13       | 29520    | Washer, 1/2 ID x 1.300 OD    |
| 14       | 36661    | Shower Head Assembly         |
| 15       | 29426    | Crank for Multi-Stream       |
| 16       | 35719    | Washer, .390 ID x .590 OD    |
| 17       | 29549    | Crank, Packing               |
| 18       | 29548    | Nut, Packing 5/8-32 NS       |
| 19       | 29508    | Handle for Volume Reg        |
| 20       | 29476    | Screw, 6-32 NC-2A x .313     |
| 21       | 29424    | Snap Ring                    |
| 22       | 29428    | Washer, Spring               |
| 23       | 29420    | Plunger, Shower              |
| 24       | 29422    | Crank Tube                   |
| 25       | 29429    | O-Ring, 140                  |
| 26       | 58003    | Face, Shower Head            |
| 27       | 29501    | Washer, 17/64 ID x 1/2 OD    |
| 28       | 29418    | Screw, .250-20 UNC-2A x .625 |

### SERVICE KITS

| PART NO. | ITEM NO. | QTY.  | DESCRIPTION                  |
|----------|----------|-------|------------------------------|
| 58314    | 7        | 1 ea. | Shower Head Assembly         |
|          | 8        | 1 ea. | Locknut, Multi-Spray Head    |
|          | 9        | 1 ea. | Ball Joint Assembly          |
|          | 10       | 1 ea. | Washer, Split                |
|          | 11       | 1 ea. | Packing for Shower Head      |
|          | 12       | 1 ea. | Washer, 5/7/64 x 1-11/64     |
|          | 13       | 1 ea. | Spring, Conical              |
|          | 14       | 1 ea. | Washer, 1/2 ID x 1.300 OD    |
|          | 15       | 1 ea. | Shower Head Assembly         |
|          | 16       | 1 ea. | Crank for Multi-Stream       |
|          | 17       | 1 ea. | Washer, .390 ID x .590 OD    |
|          | 18       | 1 ea. | Crank, Packing               |
|          | 19       | 1 ea. | Nut, Packing 5/8-32 NS       |
|          | 20       | 1 ea. | Handle for Volume Reg        |
|          | 21       | 1 ea. | Screw, 6-32 NC-2A x .313     |
|          | 22       | 1 ea. | Snap Ring                    |
|          | 23       | 1 ea. | Washer, Spring               |
|          | 24       | 1 ea. | Plunger, Shower              |
|          | 25       | 1 ea. | Crank Tube                   |
|          | 26       | 1 ea. | O-Ring, 140                  |
|          | 27       | 1 ea. | Face, Shower Head            |
|          | 28       | 1 ea. | Washer, 17/64 ID x 1/2 OD    |
|          |          |       | Screw, .250-20 UNC-2A x .625 |

Variation and/or finish/color code may be required when ordering.