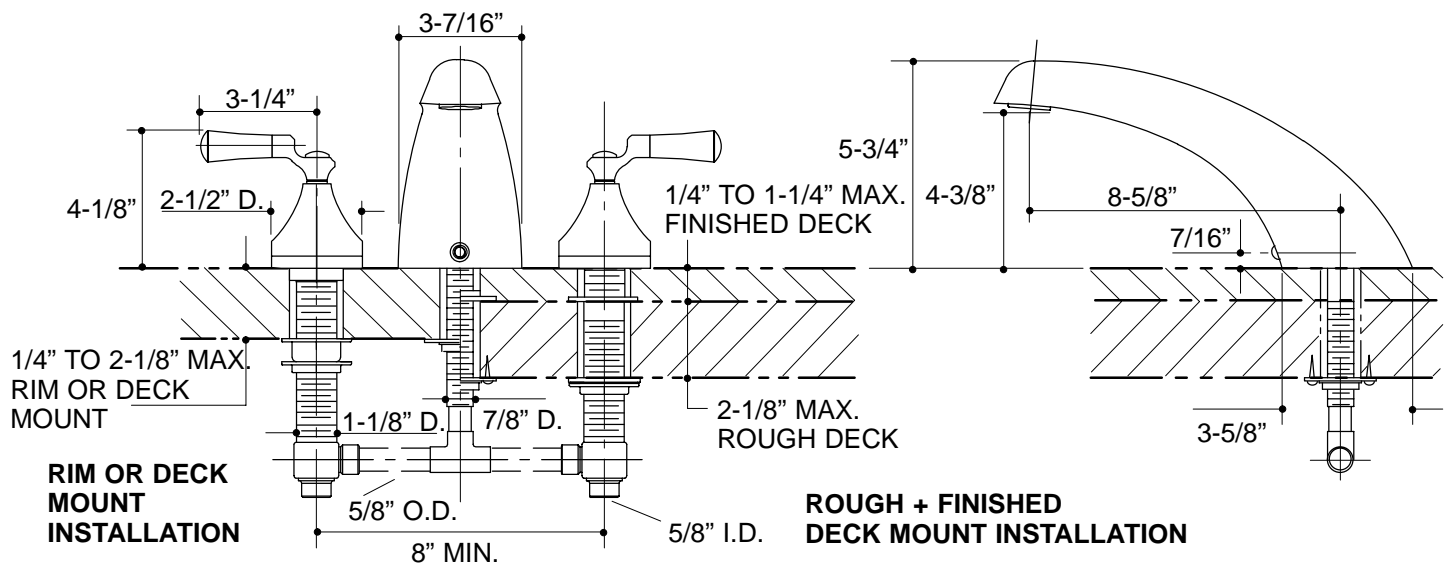


Ordering Information

Applicable faucet trim:		
Lever handles*	K-T6222-4	
*Valve K-300-K must be ordered to complete faucet.		
Applicable valve system only:		
1/2" valve system	K-300-K-NA	required**
**Required for configuration illustrated.		
ADA Lever handles are ADA compliant		



K-T6222-4, K-300-K Flair™ Bath Faucet
110100-1-CA (-)

NOTES: