

Ordering Information

Applicable bath and shower faucet trim only:	
Six-prong handle*	K-T130-3D
Lever handle*	K-T130-4D
Oval handle*	K-T130-9B
Applicable shower faucet trim only:	
Six-prong handle*	K-T132-3D
Lever handle*	K-T132-4D
Oval handle*	K-T132-9B
Applicable valve faucet trim only:	
Six-prong handle*	K-T134-3D
Lever handle*	K-T134-4D
*Rite-Temp valve must be ordered to complete faucet.	

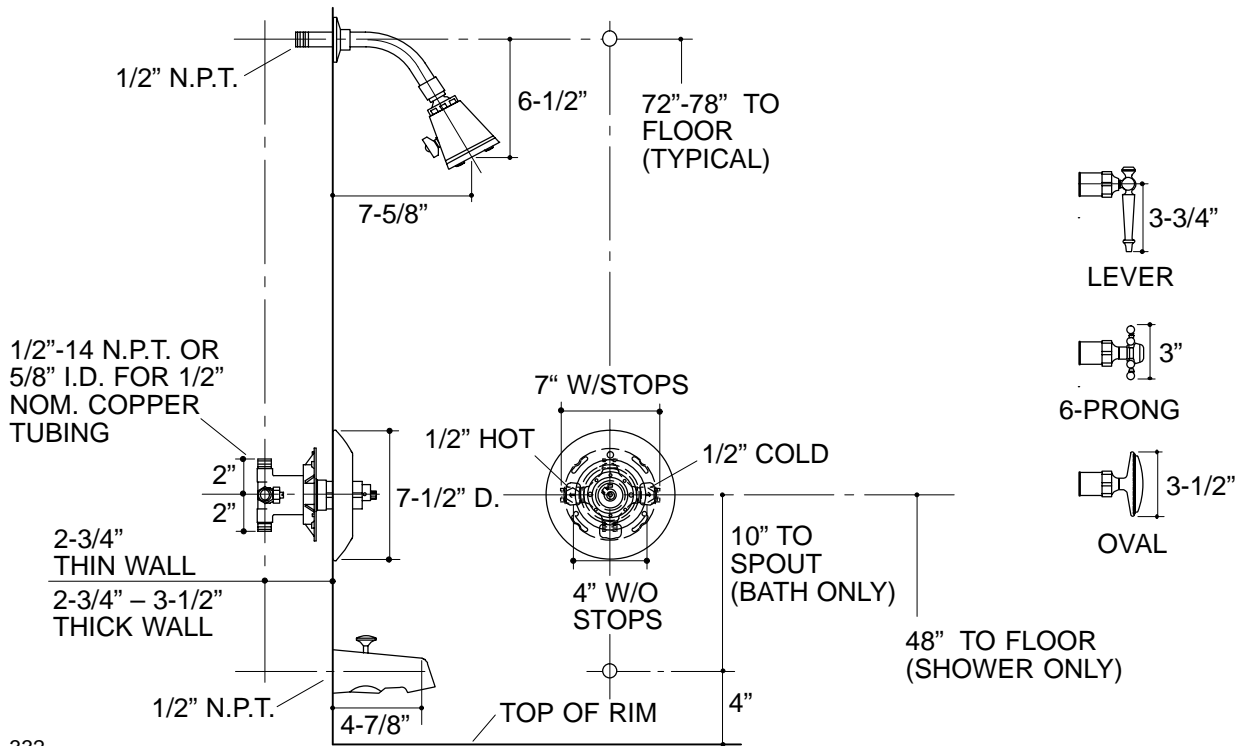
Applicable Rite-Temp valve only:		
Rite-Temp valve without stops	K-304-K	required**
Rite-Temp valve with stops	K-304-KS	required**
**Required for configuration illustrated.		
ADA Lever handle is ADA compliant		

Installation Notes

Avoid cross-flow conditions. Do not install shut-off device on either valve outlet.

Cap shower outlet if deck-mount spout, diverter, or handshower is connected to spout outlet.

Install straight pipe or tube drop of 7 to 18" with single elbow between valve and wall-mount spout.



332

K-T130, K-T132, K-T134, K-304 Antique™ Bath and Shower Faucets
110421-1-BA (-)

NOTES: