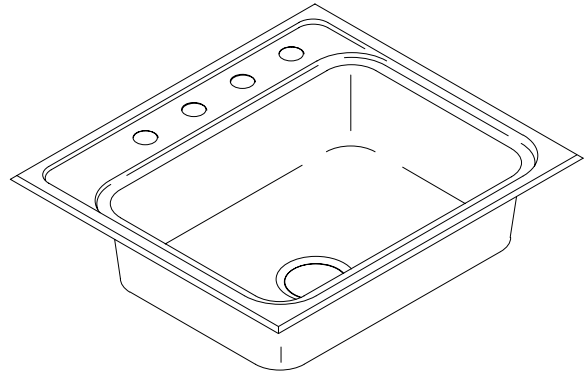


SELF-RIMMING KITCHEN SINK

K-3288

FEATURES

- 25" x 22"
- 20 gauge stainless steel
- Self-rimming
- Single compartment
- 3-hole (K-3288-3) or 4-hole (K-3288-4) faucet punching
- Includes installation hardware
- Highlighted bowl bead
- Additional highlighting on faucet deck (-H)



CODES/STANDARDS APPLICABLE

Specified model meets or exceeds the following:

- IAPMO/UPC
- Canadian Standards Association (CSA)

COLORS/FINISHES

- NA None Applicable

Accessories:

- CP Polished Chrome
- NA None Applicable
- Other Refer to Price Book for additional finishes

SPECIFIED MODEL:

Model	Description	Colors/Finishes
K-3288-3	3-hole sink	<input type="checkbox"/> NA
K-3288-4	4-hole sink	<input type="checkbox"/> NA
K-3288-3H	3-hole sink with additional highlighting on faucet deck	<input type="checkbox"/> NA
K-3288-4H	4-hole sink with additional highlighting on faucet deck	<input type="checkbox"/> NA
Optional Accessories		
K-3293	Hardwood cutting board	<input type="checkbox"/> NA
K-8801	Duostrainer sink strainer	<input type="checkbox"/> CP <input type="checkbox"/> Other _____

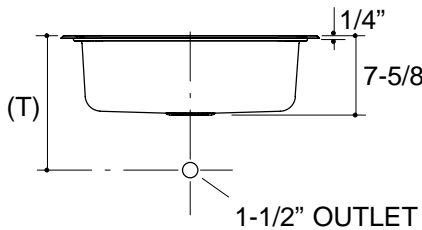
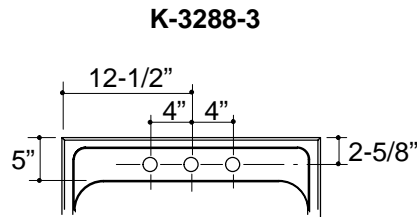
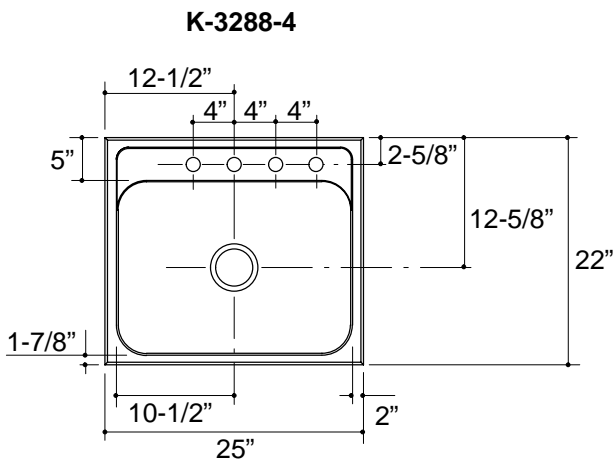
PRODUCT SPECIFICATION:

The self-rimming sink shall be 25" in length, and 22" in width. Sink shall be made of 20 gauge stainless steel. Sink shall be single compartment. Sink shall be 3-hole (K-3288-3), or single-hole (K-3288-4) faucet punched. Sink shall include installation hardware. Sink shall have highlighted bowl bead. Sink shall have additional highlighting on faucet deck (-H). Sink shall be Kohler Model K-3288-_____ - _____.

LYRIC

PRODUCT INFORMATION

Fixture*:		basin area	water depth
Sink		21" x 15"	7"
Outlet	3-5/8" D.		
Faucet holes	1-7/16" D.		
* Approximate measurements for comparison only.			



Roughing-In Notes

Fixture dimensions are nominal and conform to tolerances in ASME/ANSI Standard A112.19.3M.

(T) Drain typically 12-7/8".

Cutout 24-1/2" x 21-1/2" with 1/2" radius corners.

116

PRODUCT DIAGRAM