

### Ordering Information

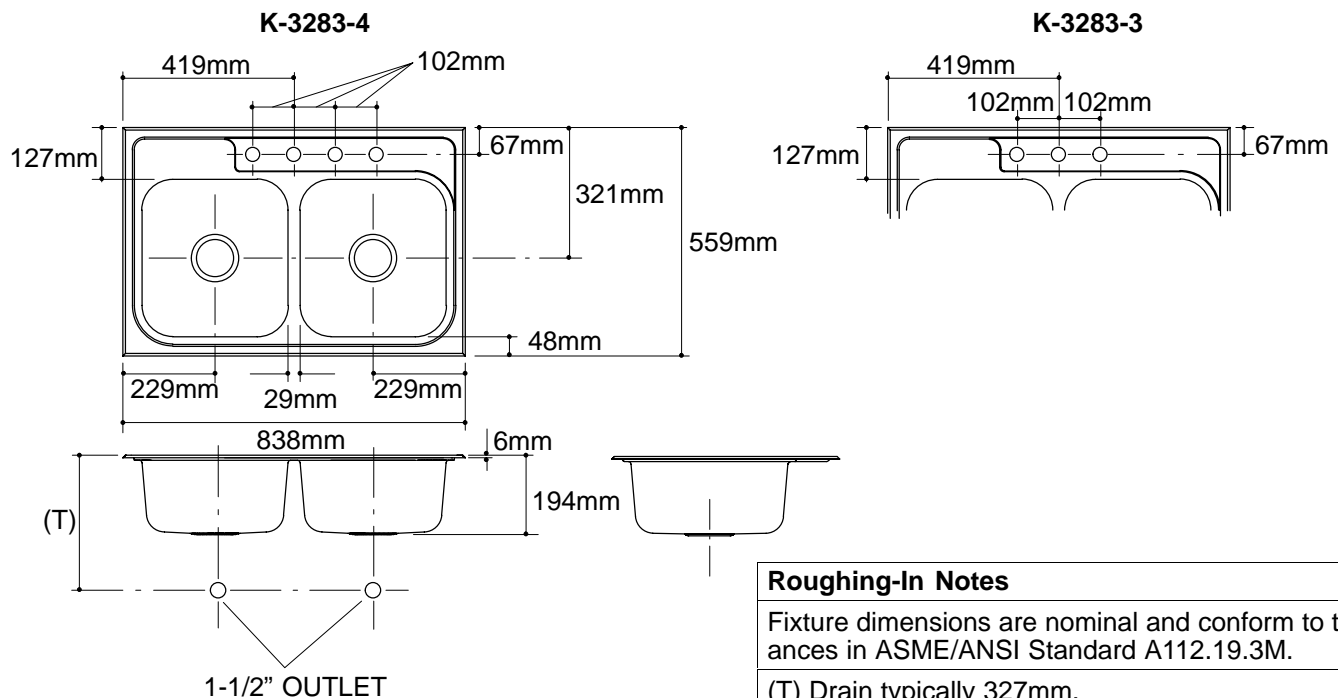
Applicable product:		
Four-hole sink	K-3283-4 K-3283-4H*	shown
Three-hole sink	K-3283-3 K-3283-3H*	not shown
*The variation H denotes additional highlighted finishing on turned-down flange and faucet deck.		
Accessories/hardware:		
Hardwood cutting board	K-3293	optional

### Product Information

Fixture*:		basin area	water depth
Sink		356 x 381mm	178mm
Outlet	Ø92mm		
Faucet holes	Ø37mm		
* Approximate measurements for comparison only.			

### Installation Notes

Refer to installation instructions included with fixture before beginning installation.



#### Roughing-In Notes

Fixture dimensions are nominal and conform to tolerances in ASME/ANSI Standard A112.19.3M.

(T) Drain typically 327mm.

Cutout	826 x 546mm with 13mm radius corners.
--------	---------------------------------------

.85<116

**K-3283** Lyric<sup>™</sup> Sink  
110454-1M-BA (-)

# KOHLER<sup>®</sup>