

### Ordering Information

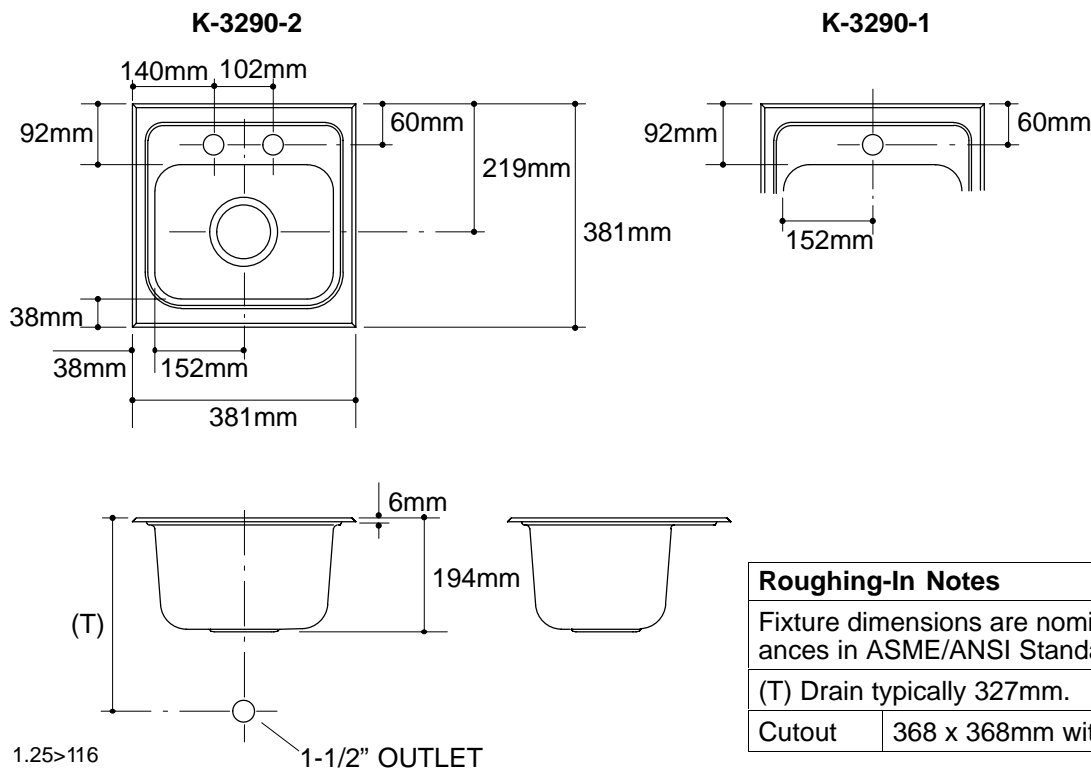
Applicable product:		
Two-hole sink	K-3290-2 K-3290-2H*	shown
One-hole sink	K-3290-1 K-3290-1H*	not shown
*The variation H denotes additional highlighted finishing on turned-down flange and faucet deck.		

### Product Information

Fixture*:		basin area	water depth
Sink		305 x 254mm	178mm
Outlet	Ø92mm		
Faucet holes	Ø37mm		
* Approximate measurements for comparison only.			

### Installation Notes

Refer to installation instructions included with fixture before beginning installation.



#### Roughing-In Notes

Fixture dimensions are nominal and conform to tolerances in ASME/ANSI Standard A112.19.3M.

(T) Drain typically 327mm.

Cutout 368 x 368mm with 13mm radius corners.