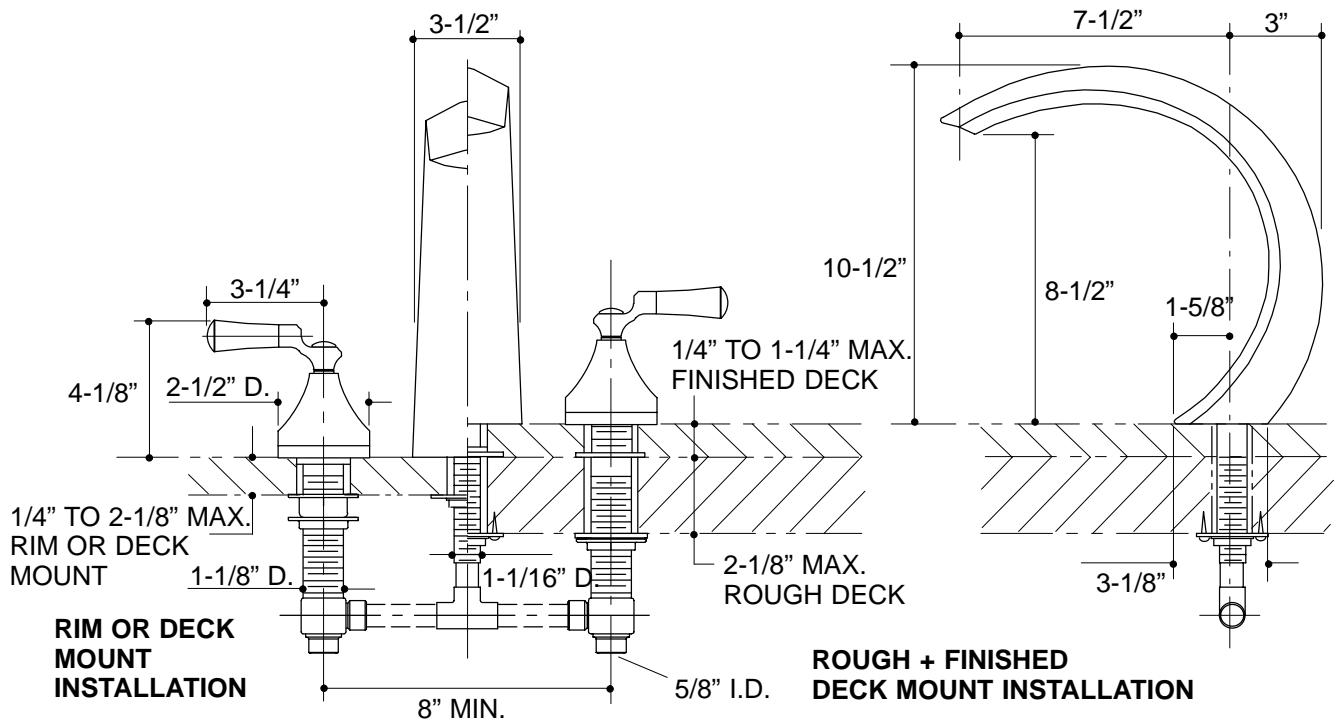


Ordering Information

Applicable faucet:	
Lever handles	K-6224-4
ADA Lever handles are ADA compliant	



316

K-6224-4 Flair™ Bath Faucet
 110796-1-BA (-)

NOTES: