

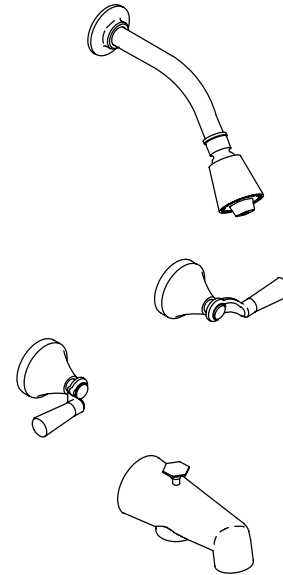
**BATH AND SHOWER FAUCET  
K-6253-4**

**ALSO K-6256-4, K-6257-4**

**FEATURES**

- Brass construction
- Brass valve bodies
- 1/2" quarter-turn washerless ceramic disc valves
- Lever handles with clear acrylic inserts

**ADA**



**CODES/STANDARDS APPLICABLE**

Specified model meets or exceeds the following:

- ASME/ANSI A112.18.1M
- CSA B125
- IAPMO/UPC

**COLORS/FINISHES**

- CP Polished Chrome
- PB Polished Brass

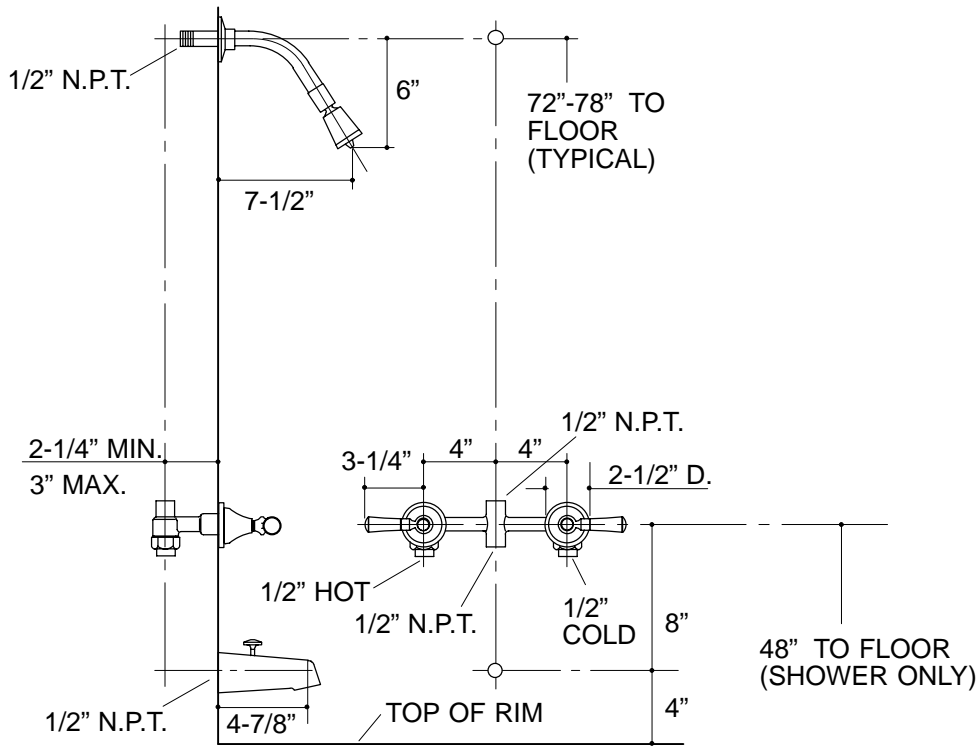
**SPECIFIED MODEL:**

Model	Description		
K-6253-4	Bath and Shower Faucet	<input type="checkbox"/> CP	<input type="checkbox"/> PB
K-6256-4	Shower Only Faucet	<input type="checkbox"/> CP	<input type="checkbox"/> PB
K-6257-4	Valve Only Faucet	<input type="checkbox"/> CP	<input type="checkbox"/> PB

Optional Accessory				
K-7266	Lever Handle Inserts, Pair	<input type="checkbox"/> CP	<input type="checkbox"/> PB	<input type="checkbox"/> Other_____

**PRODUCT SPECIFICATION:**

Two-handle bath and shower faucet shall be of brass construction. Faucet shall feature brass valve bodies. Faucet shall feature 1/2" quarter-turn washerless ceramic disc valves, assuring positive handle stop positioning. Bath and shower faucet shall include showerhead with arm and flange, 4-7/8" with diverter spout with N.P.T. connection, and handles. Shower only faucet shall include showerhead with arm and flange, and handles. Valve only faucet shall include handles. Faucet shall be Kohler Model K-\_\_\_\_\_-4-\_\_\_\_\_.



332

**PRODUCT DIAGRAM**