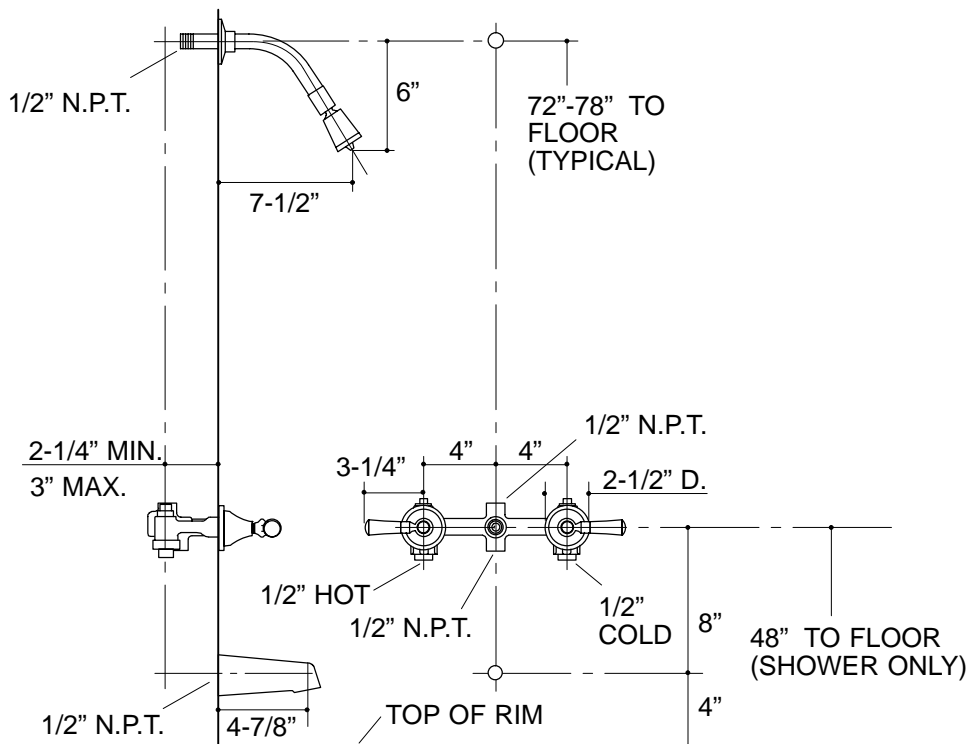


Ordering Information

Applicable faucet:	
Bath and shower	K-6254-4
Valve only	K-6258-4
ADA Lever handles are ADA compliant	



332

K-6254-4, K-6258-4 Flair™ Bath and Shower Faucet
110800-1-BA (-)

NOTES: