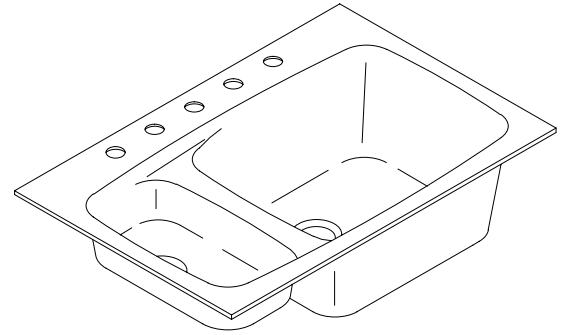


FEATURES

- 33" x 22"
- Cast iron
- Acid resistant enamel finish
- Tile-in
- Double (high/low) compartment
- 5-hole (K-5877-5) or 4-hole (K-5877-4) drilling



CODES/STANDARDS APPLICABLE

Specified model meets or exceeds the following:

- ASME/ANSI A112.19.1M
- IAPMO/UPC
- Canadian Standards Association (CSA)
- State of Massachusetts

COLORS/FINISHES

- 0 White
- Other Refer to Fixtures Price Book for additional colors

Accessories:

- CP Polished Chrome
- 0 White
- Other Refer to Price Book for additional colors
- NA None Applicable

SPECIFIED MODEL:

Model	Description	Colors/Finishes	
K-5877-5	5-hole sink	<input type="checkbox"/> 0 White	<input type="checkbox"/> Other_____
K-5877-4	4-hole sink	<input type="checkbox"/> 0 White	<input type="checkbox"/> Other_____

Recommended Accessories			
K-9000	Trap		<input type="checkbox"/> CP
Optional Accessories			
K-6011	Bottom basin rack	<input type="checkbox"/> 0 White	<input type="checkbox"/> Other_____
K-6507	Hardwood cutting board		<input type="checkbox"/> NA
K-6511	Wire rinse basket	<input type="checkbox"/> 0 White	<input type="checkbox"/> Other_____
K-8801	Duostrainer sink strainer	<input type="checkbox"/> CP	<input type="checkbox"/> Other_____

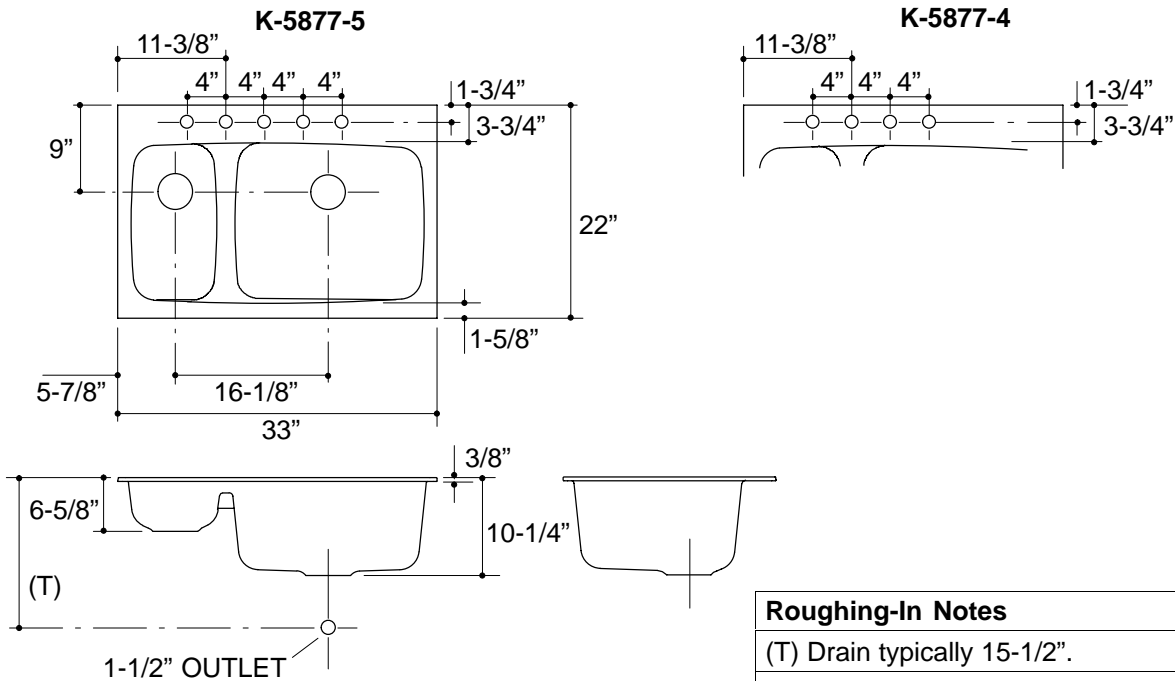
PRODUCT SPECIFICATION:

The tile-in sink shall be 33" in length, and 22" in width. Sink shall be made of cast iron with acid resistant enamel finish. Sink shall be double (high/low) compartment. Sink shall be 5-hole (K-5877-5), or 4-hole (K-5877-4) drilled. Sink shall be Kohler Model K-5877-_____-_____.

PRODUCT INFORMATION

Fixture*:		basin area	water depth
Sink		19" x 17"	8-3/8"
Disposal		9" x 16"	4-3/4"
Outlet	3-7/8" D.		
Faucet and spout holes	1-3/8" D.		

* Approximate measurements for comparison only.



Roughing-In Notes	
(T)	Drain typically 15-1/2".
For disposal unit, consult supplier for roughing-in measurements.	
Cutout	31-3/4" x 20-3/4" with 1" radius corners.

.8<116

PRODUCT DIAGRAM