

Ordering Information

Applicable product:		
Five-hole sink	K-3248-5	shown
Three-hole sink	K-3248-3	not shown
One-hole sink	K-3248-1	not shown
Accessories/hardware:		
Bottom basin rack	K-3190	optional
Hardwood cutting board	K-3294	optional
Wire rinse basket/dish rack	K-3277	optional

Product Information

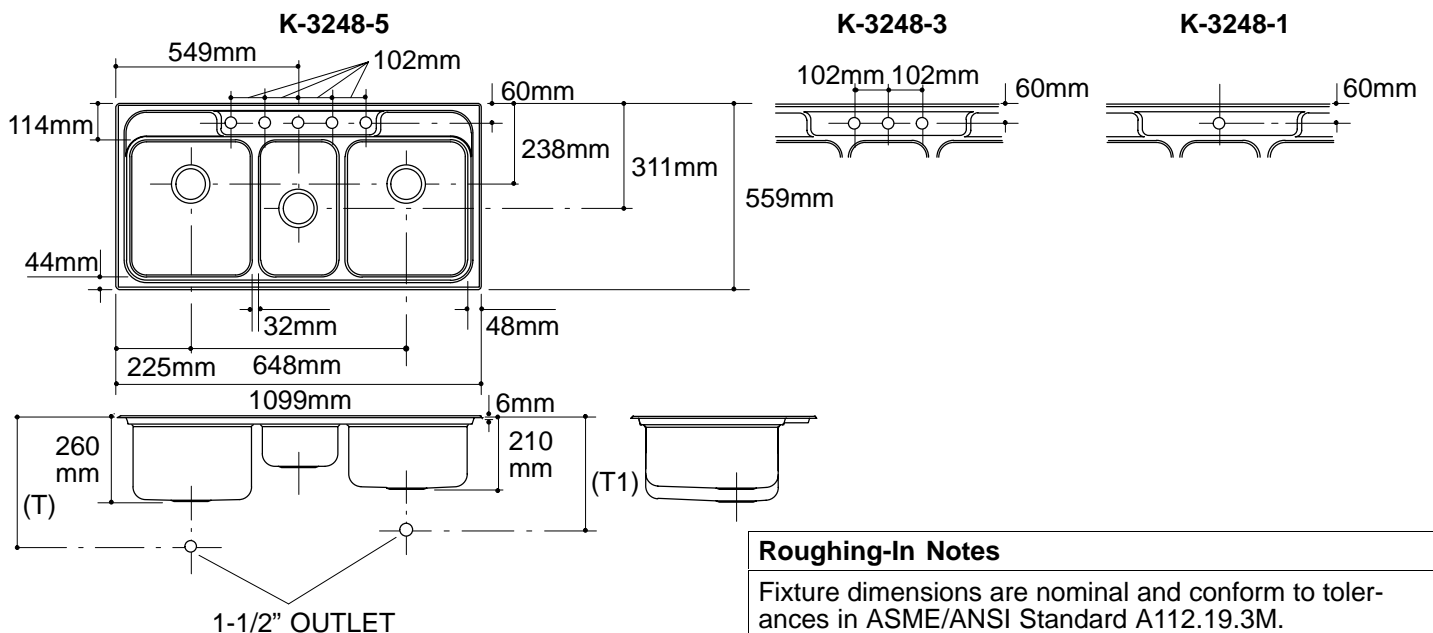
Fixture*:		basin area	water depth
Sink, left		356 x 406mm	235mm
Disposal		229 x 406mm	133mm
Sink, right		356 x 406mm	184mm
Outlet	Ø92mm		
Faucet holes	Ø37mm		

* Approximate measurements for comparison only.

Included Components:	
Fastener pack	90208

Installation Notes

Refer to installation instructions included with fixture before beginning installation.



Roughing-In Notes

Fixture dimensions are nominal and conform to tolerances in ASME/ANSI Standard A112.19.3M.

(T) Drain typically 395mm.

(T1) Drain typically 344mm.

Cutout	1086 x 546mm with 13mm radius corners.
--------	--

.9<116

K-3248 Ballad Sink
110853-1M-BA (-)

KOHLER®