

**ELECTRONIC FAUCET  
K-13662  
ALSO K-13660**

**ADA**

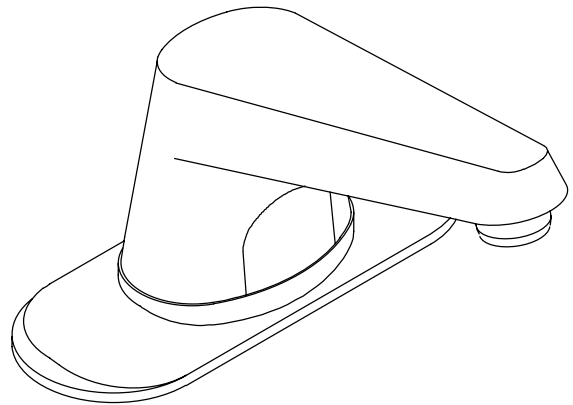
**FEATURES**

- Brass construction
- Single supply for single-hole mounting
- Electronic infrared sensor
- 4-7/8" spout
- Available with standard or vandal-resistant Water-Guard® aerator
- 2.0 gallons per minute
- Five foot power cord
- Available with or without escutcheon plate

**CODES/STANDARDS APPLICABLE**

Specified model meets or exceeds the following:

- ASME/ANSI A112.18.1M
- CSA B125
- Energy Policy Act of 1992
- IAPMO/UPC
- Listed in the States of New York, Massachusetts, and Texas
- Listed in New York City, City of Chicago, and City of Los Angeles
- Underwriter's Laboratory (UL)



**COLORS/FINISHES**

- CP Polished Chrome
- PB Polished Brass

**SPECIFIED MODEL:**




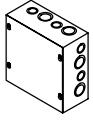
Model	Description		
K-13660	Less Escutcheon Plate; With Standard Aerator	<input type="checkbox"/> CP	<input type="checkbox"/> PB
K-13660-2E	Less Escutcheon Plate; With Vandal-Resistant Aerator	<input type="checkbox"/> CP	
K-13662	With Escutcheon Plate; With Standard Aerator	<input type="checkbox"/> CP	<input type="checkbox"/> PB
K-13662-2E	With Escutcheon Plate; With Vandal-Resistant Aerator	<input type="checkbox"/> CP	

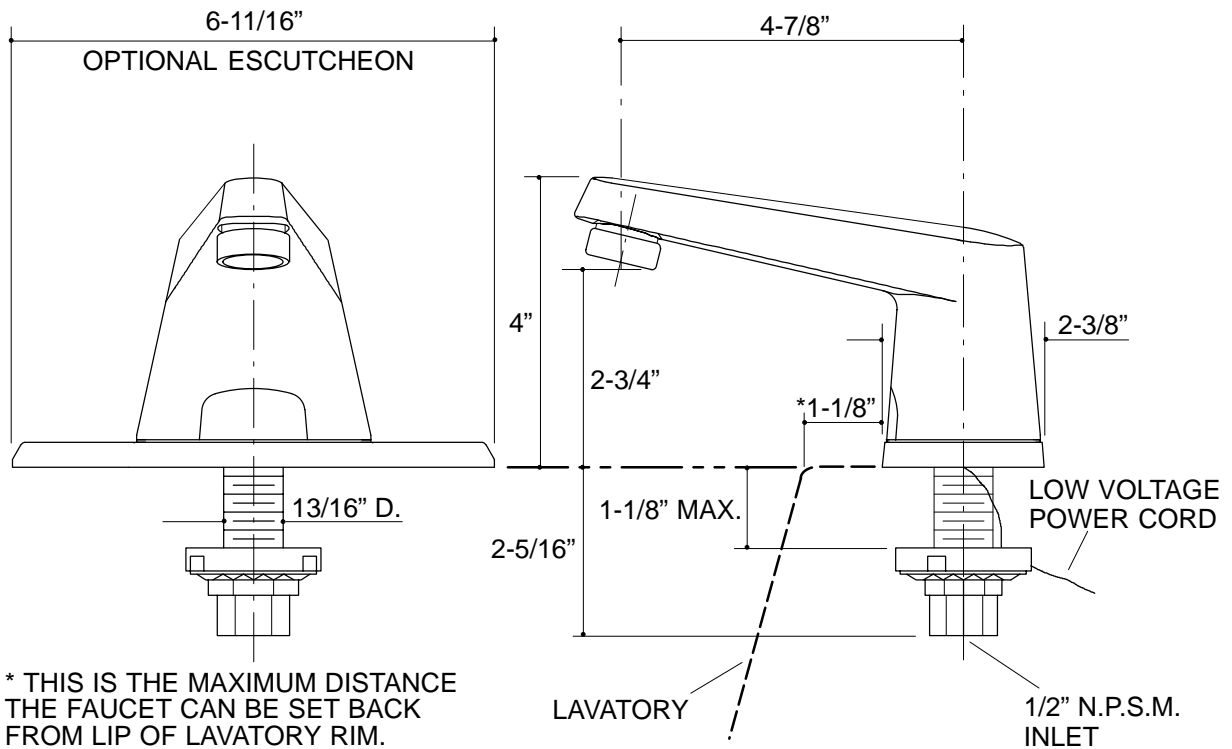
Required Accessory		
K-13667	Plug-In Power Supply	<input type="checkbox"/> NA

Optional Accessories on Page 2.

**PRODUCT SPECIFICATION:**  
Electronic faucet shall be of brass construction. Faucet shall feature an electronic infrared sensor. Product shall be less drain and requires a plug-in power supply. Product shall include single supply for single-hole mounting, 4-7/8" spout, and five foot power cord. Optional features shall be with or without escutcheon plate, and standard or vandal-resistant aerator. Faucet shall be Kohler Model K-\_\_\_\_\_-\_\_\_\_\_-\_\_\_\_\_- and plug-in power supply shall be Kohler Model K-13667-NA.

# TOUCHLESS™

Optional Accessories					
K-7715	Lavatory Grid Drain	<input type="checkbox"/> CP <input type="checkbox"/> PB <input type="checkbox"/> Other_____			
K-13601	Thermostatic Mixing Valve		<input type="checkbox"/> NA		
K-13671	Five-Foot Extension Cord			<input type="checkbox"/> NA	
K-13684	Multiple Touchless Power Supply				<input type="checkbox"/> NA



38

## PRODUCT DIAGRAM