

**LAVATORY FAUCET
K-7947-2**

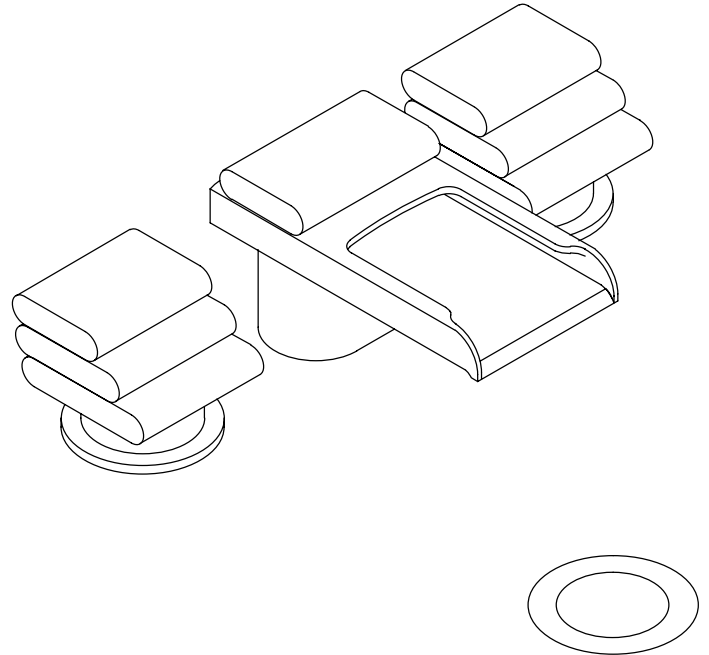
FEATURES

- Brass construction
- Flexible connections
- Brass valve bodies
- Quarter-turn washerless ceramic disc valves
- 4-1/2" Flume™ spout
- 2.0 gallons per minute
- Pop-up drain with lift rod and tailpiece
- Pillows handles

CODES/STANDARDS APPLICABLE

Specified model meets or exceeds the following:

- ASME/ANSI A112.18.1M
- CSA B125
- Energy Policy Act of 1992
- IAPMO/UPC
- NSF 61



COLORS/FINISHES

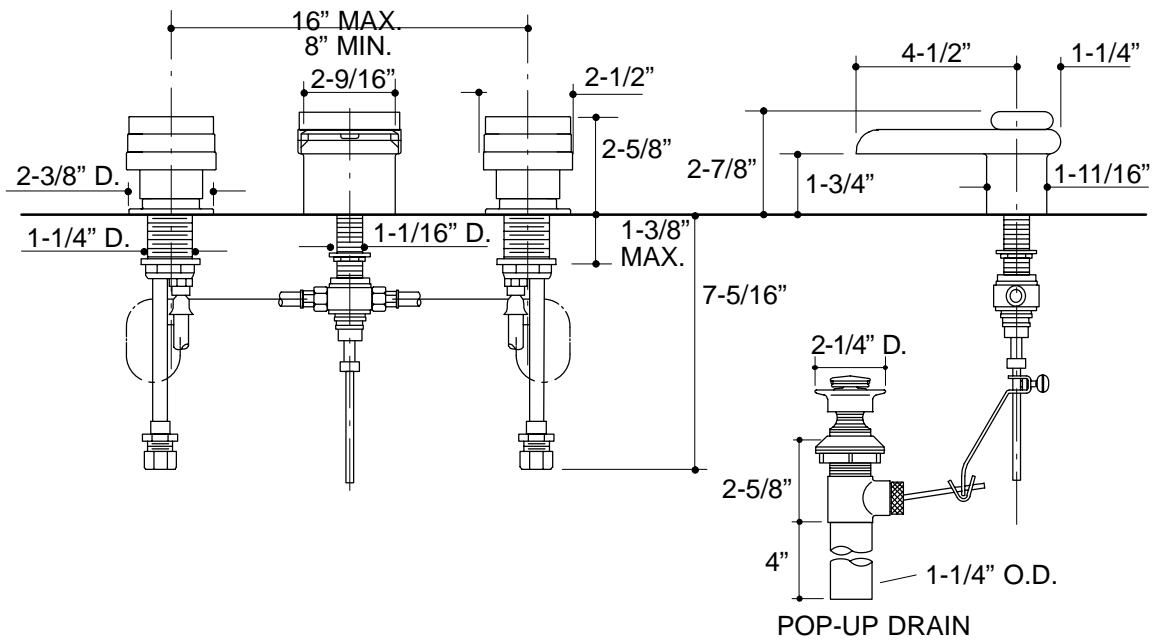
- PB Polished Brass
- SC Satin Chrome

SPECIFIED MODEL:

Model	Description		
K-7947-2	Pillows Widespread Lavatory Faucet	<input type="checkbox"/> PB	<input type="checkbox"/> SC

PRODUCT SPECIFICATION:

Two-handle widespread lavatory faucet shall be of brass construction. Faucet shall feature brass valve bodies. Faucet shall feature quarter-turn washerless ceramic disc valves, assuring positive handle stop positioning. Product shall include flexible connections, 4-1/2" Flume spout, pop-up drain with lift rod and tailpiece, and Pillows handles. Faucet shall be Kohler Model K-7947-2-_____.



PRODUCT DIAGRAM