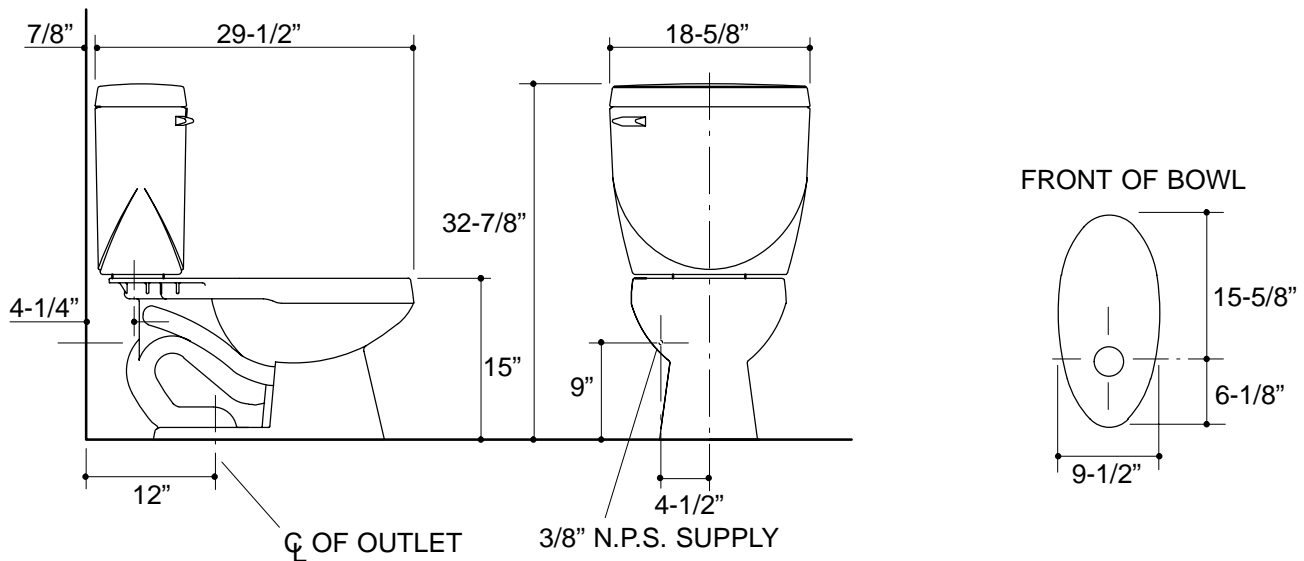


**Ordering Information**

Applicable product:		
Toilet with standard tank	K-3471	shown
Toilet with insuliner tank	K-3471-U	not shown
Accessories/hardware:		
3/8" supply	K-7637	recommended
Floor bolts (pr.)	21401	recommended
Seat, Lustra	K-4662	recommended
Seat, French Curve	K-4653	recommended

**Product Information**

Fixture:	
Configuration	2-piece, Elongated
Gallons per flush	1.6 gallons
Passageway	1-3/4"
Water area	9-5/8" x 8-1/4"
Water depth from rim	6-3/4"
Seat post hole centers	5-1/2"
Included Components:	
Bowl	K-4236
Tank	K-4591
Tank cover	80576
Bolt cap accessory pack	52048
Tank accessory pack	73062
Trip lever	K-9408



**Roughing-In Notes**

Fixture dimensions are nominal and conform to tolerances in ASME Standard A112.19.2M.

.9<116