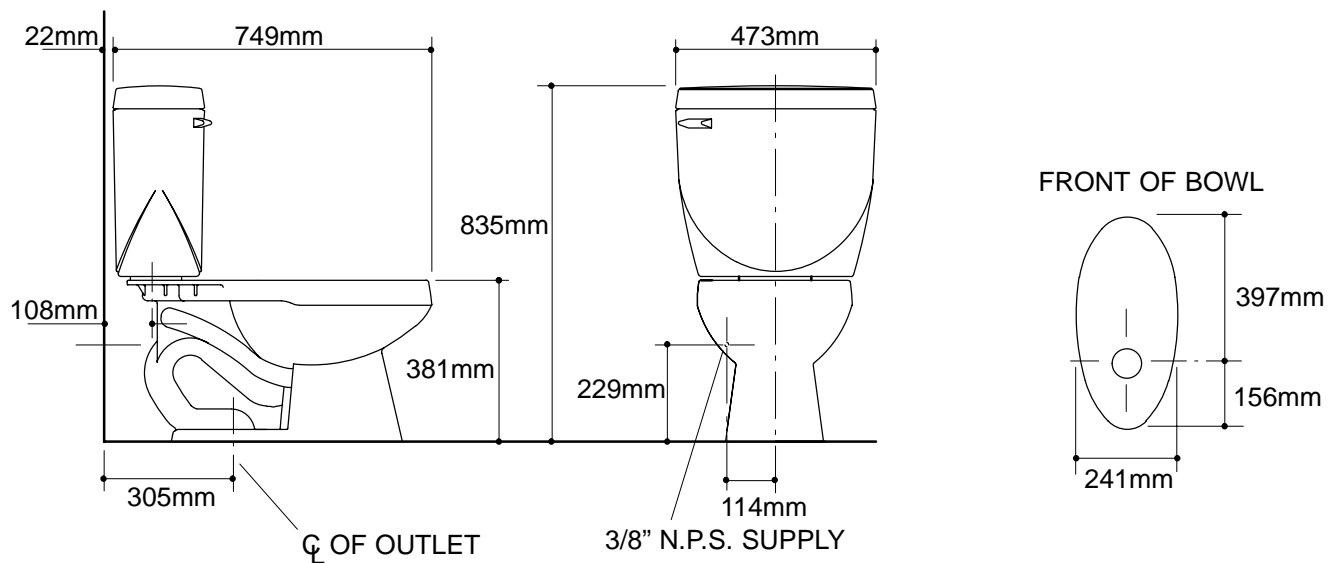


Ordering Information

Applicable product:		
Toilet with standard tank	K-3471	shown
Toilet with insuliner tank	K-3471-U	not shown
Accessories/hardware:		
3/8" supply	K-7637	recommended
Floor bolts (pr.)	21401	recommended
Seat, Lustra	K-4652	recommended
Seat, French Curve	K-4653	recommended

Product Information

Fixture:	
Configuration	2-piece, elongated
Litres per flush	6 litres
Passageway	44mm
Water area	244 x 210mm
Water depth from rim	171mm
Seat post hole centers	140mm
Included Components:	
Bowl	K-4236
Tank	K-4591
Tank cover	80576
Bolt cap accessory pack	52048
Tank accessory pack	73062
Trip lever	K-9408



Roughing-In Notes

Fixture dimensions are nominal and conform to tolerances in ASME Standard A112.19.2M.

.9<116