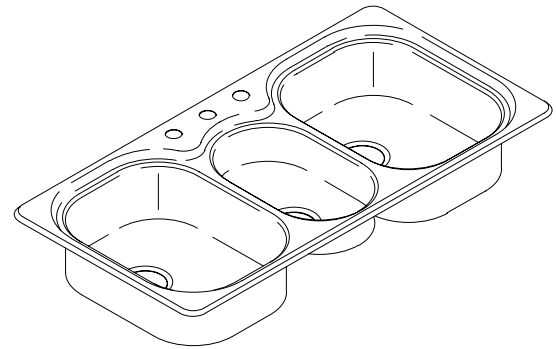


SELF-RIMMING KITCHEN SINK

K-3222

FEATURES

- 43-1/2" x 22"
- 18 gauge stainless steel
- Self-rimming
- Triple compartment with two equal basins and smaller center disposal basin
- 5-hole (K-3222-5), single-hole (K-3222-1), or 3-hole (K-3222-3) faucet punching
- Includes installation hardware



CODES/STANDARDS APPLICABLE

Specified model meets or exceeds the following:

- IAPMO/UPC
- Canadian Standards Association (CSA)
- State of Massachusetts

COLORS/FINISHES

- NA None Applicable

Accessories:

- CP Polished Chrome
- 0 White
- NA None Applicable
- Other Refer to Price Book for additional colors

SPECIFIED MODEL:

Model	Description	Colors/Finishes
K-3222-5	5-hole sink	<input type="checkbox"/> NA
K-3222-3	3-hole sink	<input type="checkbox"/> NA
K-3222-1	Single-hole sink	<input type="checkbox"/> NA

Optional Accessories			
K-3278	Hardwood cutting board (for either large basin)	<input type="checkbox"/> NA	
K-3280	Wire rinse basket (for either large basin)	<input type="checkbox"/> 0 White	<input type="checkbox"/> Other_____
K-3291	Colander (for either large basin)	<input type="checkbox"/> 0 White	<input type="checkbox"/> Other_____
K-3292	Hardwood cutting board and colander set (for small disposal basin)	<input type="checkbox"/> 0 White	<input type="checkbox"/> Other_____
K-8801	Duostrainer sink strainer	<input type="checkbox"/> CP	<input type="checkbox"/> Other_____

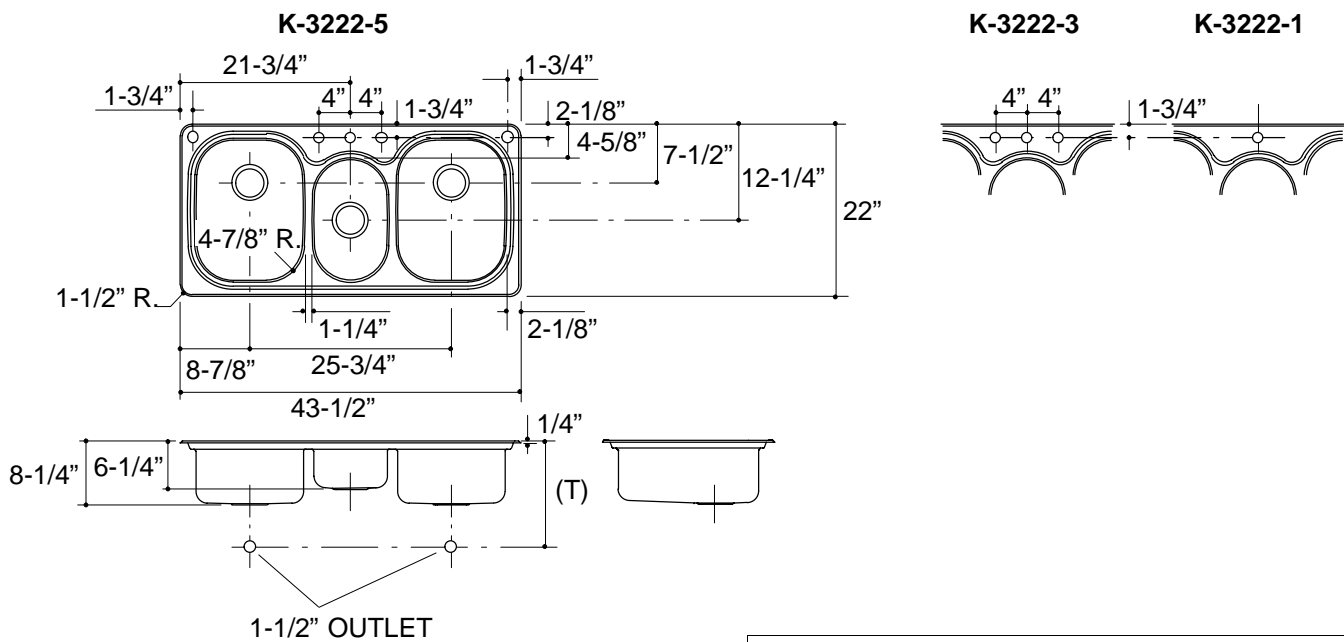
PRODUCT SPECIFICATION:

The self-rimming kitchen sink shall be 43-1/2" in length, and 22" in width. Sink shall be made of 18 gauge stainless steel. Sink shall be triple compartment with two equal basins and smaller center disposal basin. Sink shall be 5-hole (K-3222-5), 3-hole (K-3222-3), or single-hole (K-3222-1) drilled. Sink shall include installation hardware. Sink shall be Kohler Model K-3222-_____-_____.

PRODUCT INFORMATION

Fixture*:		basin area	water depth
Sinks		14" x 18"	7-1/4"
Disposal		9" x 15"	5-1/4"
Outlet	3-5/8" D.		
Faucet holes	1-7/16" D.		
* Approximate measurements for comparison only.			

Included Components:	
Fastener pack	90208



Roughing-In Notes

(T) Drain typically 13-1/2".

Cutout	43 x 21" with 1-1/2" radius corners.
--------	--------------------------------------

.65<116

PRODUCT DIAGRAM