

Ordering Information

Applicable product:		
Five-hole sink	K-3219	shown
Three-hole sink	K-3222	not shown
One-hole sink	K-3221	not shown
Accessories/hardware:		
Hardwood cutting board	K-3278	optional
Hardwood cutting board/ colander package	K-3292	optional
Wire rinse basket/dishrack	K-3280	optional
Colander	K-3291	optional

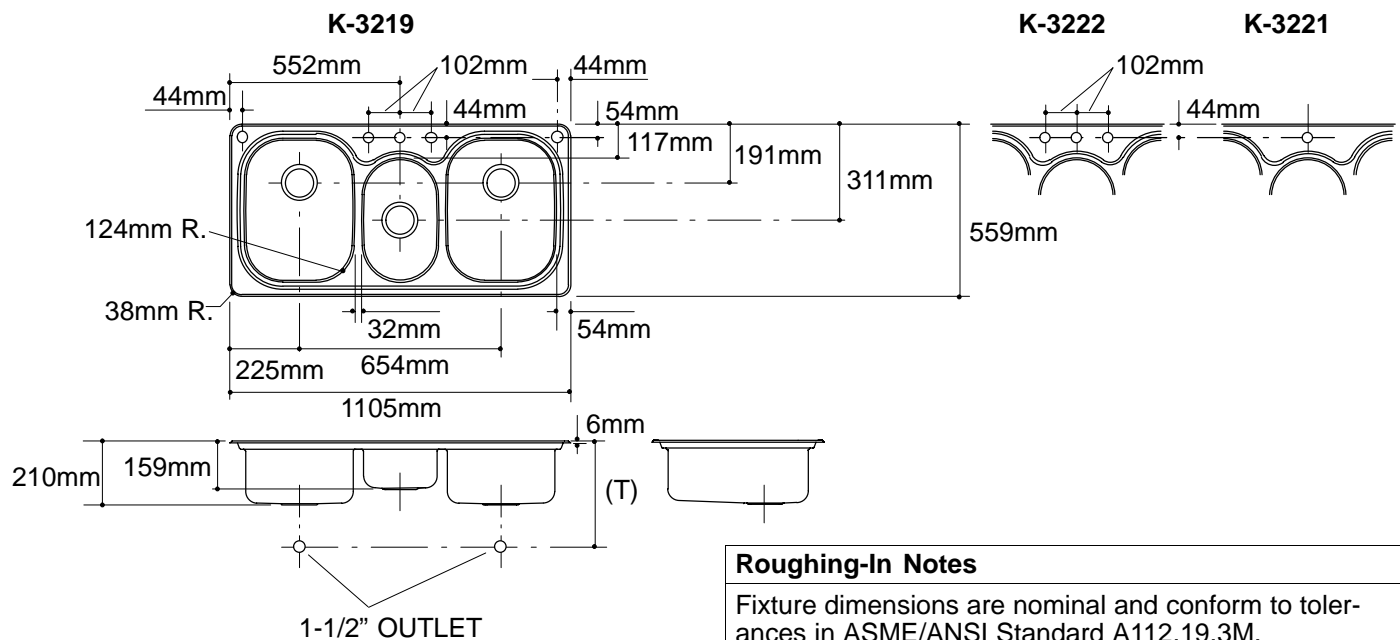
Product Information

Fixture*:		basin area	water depth
Sinks		356 x 457mm	184mm
Disposal		229 x 381mm	133mm
Outlet	Ø92mm		
Faucet holes	Ø37mm		
* Approximate measurements for comparison only.			

Included Components:	
Fastener pack	90208

Installation Notes

Refer to installation instructions included with fixture before beginning installation.



Roughing-In Notes

Fixture dimensions are nominal and conform to tolerances in ASME/ANSI Standard A112.19.3M.

(T) Drain typically 343mm.

Cutout 1092 x 533mm with 38mm radius corners.