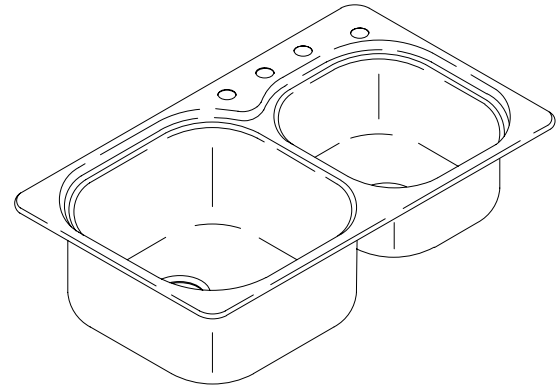


SELF-RIMMING KITCHEN SINK

K-3232

FEATURES

- 37" x 22"
- 18 gauge stainless steel
- Self-rimming
- Double (extra large/medium) compartment
- 4-hole (K-3232-4), 3-hole (K-3232-3), or 2-hole (K-3232-2) faucet punching
- Includes installation hardware



CODES/STANDARDS APPLICABLE

Specified model meets or exceeds the following:

- IAPMO/UPC
- Canadian Standards Association (CSA)
- State of Massachusetts

COLORS/FINISHES

- NA None Applicable

Accessories:

- CP Polished Chrome
- 0 White
- NA None Applicable
- Other Refer to Price Book for additional colors

SPECIFIED MODEL:

Model	Description	Colors/Finishes
K-3232-4	4-hole sink	<input type="checkbox"/> NA
K-3232-3	3-hole sink	<input type="checkbox"/> NA
K-3232-2	2-hole sink	<input type="checkbox"/> NA

Optional Accessories			
K-3191	Bottom basin rack (for left basin only)	<input type="checkbox"/> 0 White	<input type="checkbox"/> Other_____
K-3278	Hardwood cutting board (for left basin only)	<input type="checkbox"/> NA	
K-3279	Wire rinse basket (for left basin only)	<input type="checkbox"/> 0 White	<input type="checkbox"/> Other_____
K-3291	Colander (for right basin only)	<input type="checkbox"/> 0 White	<input type="checkbox"/> Other_____
K-8801	Duostrainer sink strainer	<input type="checkbox"/> CP	<input type="checkbox"/> Other_____

PRODUCT SPECIFICATION:

The self-rimming kitchen sink shall be 37" in length, and 22" in width. Sink shall be made of 18 gauge stainless steel. Sink shall be double (extra large/medium) compartment. Sink shall be 4-hole (K-3232-4), 3-hole (K-3232-3), or 2-hole (K-3232-2) faucet punched. Sink shall include installation hardware. Sink shall be Kohler Model K-3232-_____-_____.

