

## Ordering Information

|                            |          |           |
|----------------------------|----------|-----------|
| Applicable product:        |          |           |
| Four-hole sink             | K-3256-4 | shown     |
| Three-hole sink            | K-3256-3 | not shown |
| Accessories/hardware:      |          |           |
| Bottom basin rack          | K-3190   | optional  |
| Wire rinse basket/dishrack | K-3277   | optional  |
| Hardwood cutting board     | K-3294   | optional  |

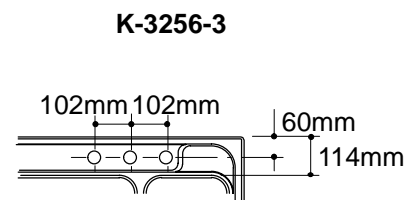
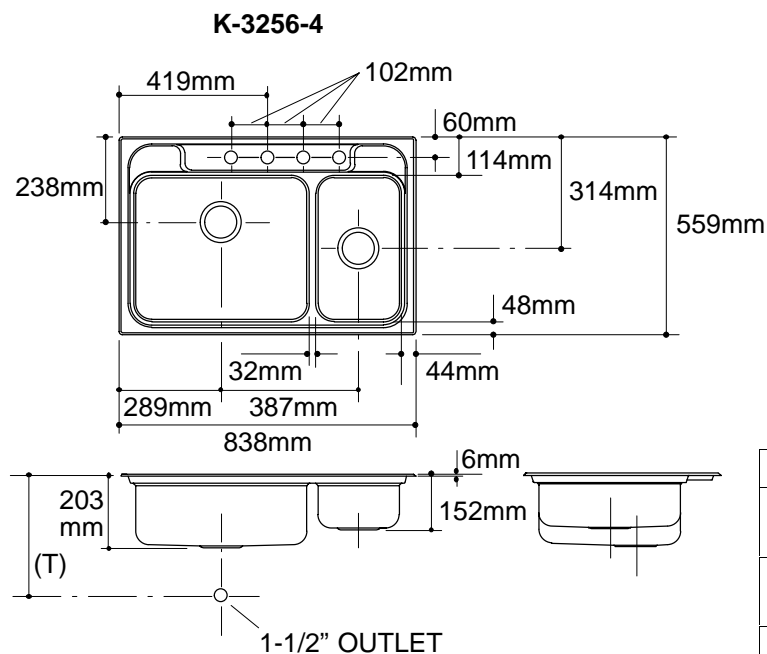
## Product Information

|   |       |             |             |
|---|-------|-------------|-------------|
| Fixture*:                                       |       | basin area  | water depth |
| Sink  |       | 483 x 406mm | 184mm       |
| Disposal  |       | 229 x 406mm | 133mm       |
| Outlet  | Ø92mm |             |             |
| Faucet holes                                    | Ø37mm |             |             |
| * Approximate measurements for comparison only. |       |             |             |

|                      |       |
|----------------------|-------|
| Included Components: |       |
| Fastener pack        | 90208 |

## Installation Notes

Refer to installation instructions included with fixture before beginning installation.



## Roughing-In Notes

Fixture dimensions are nominal and conform to tolerances in ASME/ANSI Standard A112.19.3M.

For disposal unit, consult supplier for roughing-in measurements.

(T) Drain typically 343mm.

Cutout 826 x 546mm with 13mm radius corners.

.85<116

**K-3256** Ballad Sink  
111035-1M-BA (-)

**KOHLER®**