

Ordering Information

Applicable product:		
Three-hole sink	K-3260-3	shown
One-hole sink	K-3260-1	not shown

Product Information

Fixture*:		basin area	water depth
Sink		15" x 13"	10"
Outlet	3-5/8" D.		
Faucet holes	1-7/16" D.		

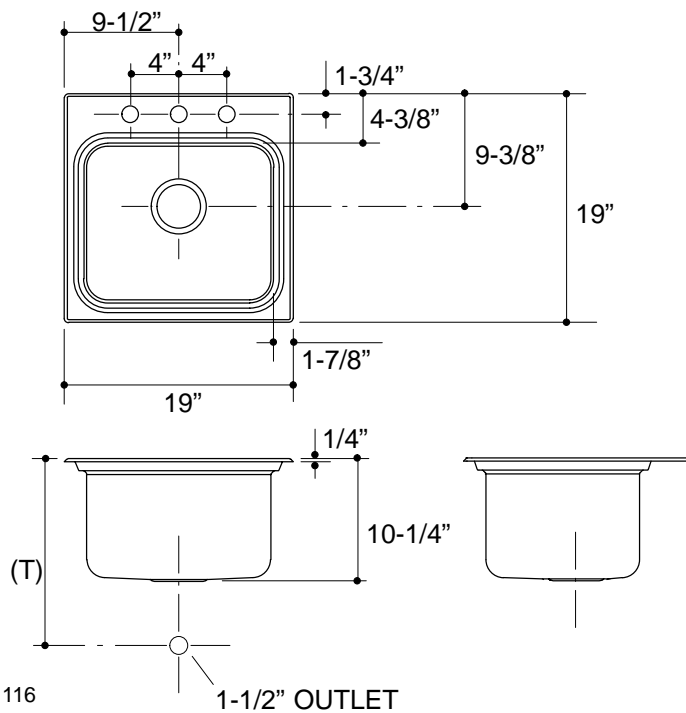
* Approximate measurements for comparison only.

Included Components:	
Fastener pack	90208

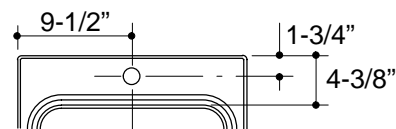
Installation Notes

Refer to installation instructions included with fixture before beginning installation.

K-3260-3



K-3260-1



Roughing-In Notes

Fixture dimensions are nominal and conform to tolerances in ASME/ANSI Standard A112.19.3M.

(T) Drain typically 15-1/2".

Cutout 18-1/2" x 18-1/2" with 1/2" radius corners.