

KOHLER® SERVICE PARTS

LAVATORY FITTINGS

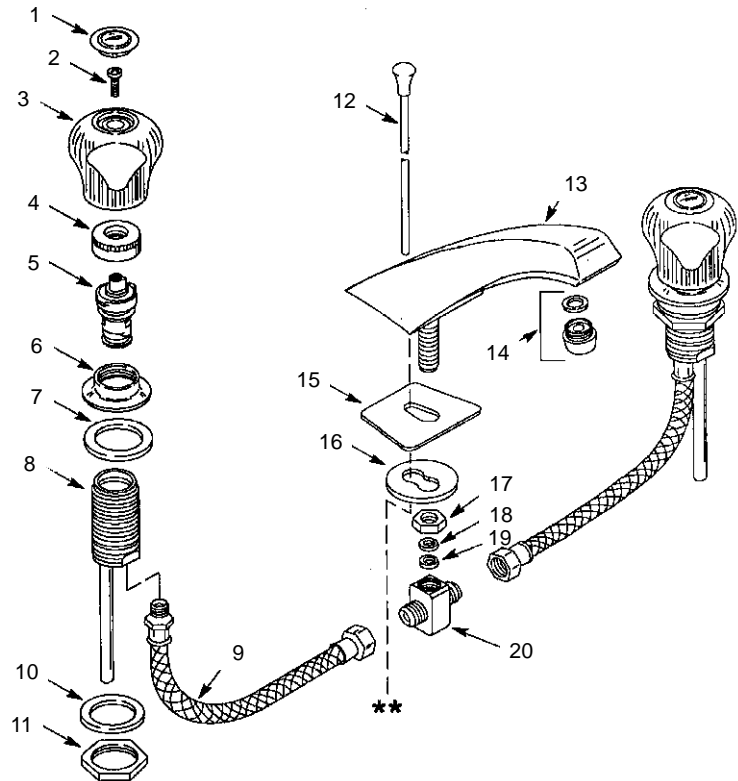
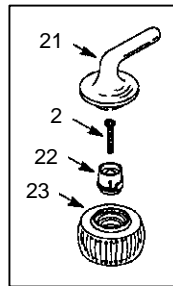
K-15261-BA CORALAIS

LAVATORY FAUCET

ORDER BY KIT NUMBER OR PART NUMBER, NOT ITEM NUMBER OR KIT LETTER.

Ordering Options

Item	Part No. or Kit
1	A or B
2	70047
3	70233
4	70008‡
5	C or D
6	70234‡
7	70242
8	E or F
9	40008
10	40001
11	40005
12	70342‡
13	70270‡
14	30074‡
15	70535
16	40015
17	40014
18	40097
19	40013
20	40098
21	70302‡
22	70307
23	70306



Kit Ordering Information

Kit	Kit Part No.	Kit Name	Kit Contents
A	70207	Plug Button (Cold)	1 ea., Cold; Item 1
B	70208	Plug Button (Hot)	1 ea., Hot; Item 1
C	70127	Valve Assembly (Closes Clockwise)	1 ea., Item 5
D	70415	Valve Assembly (Gray-Closes Counterclockwise)	1 ea., Item 5
E	70071	Valve Shank Assembly	1 ea., Item 8
F	70484	Valve Shank Assembly (with Ground Joint Connection)	1 ea., Item 8

KITS MAY INCLUDE EXTRA PARTS

NOTES:

Other product numbers using same parts:

K-15262-0-BA

** For Chrome Plate pop-up drain, see 40240 or 70402.

** For Polished Brass pop-up drain, see 70408.

*** This product is available in other finishes, refer to Price Book.

LEGEND:

‡ Specify Finish.