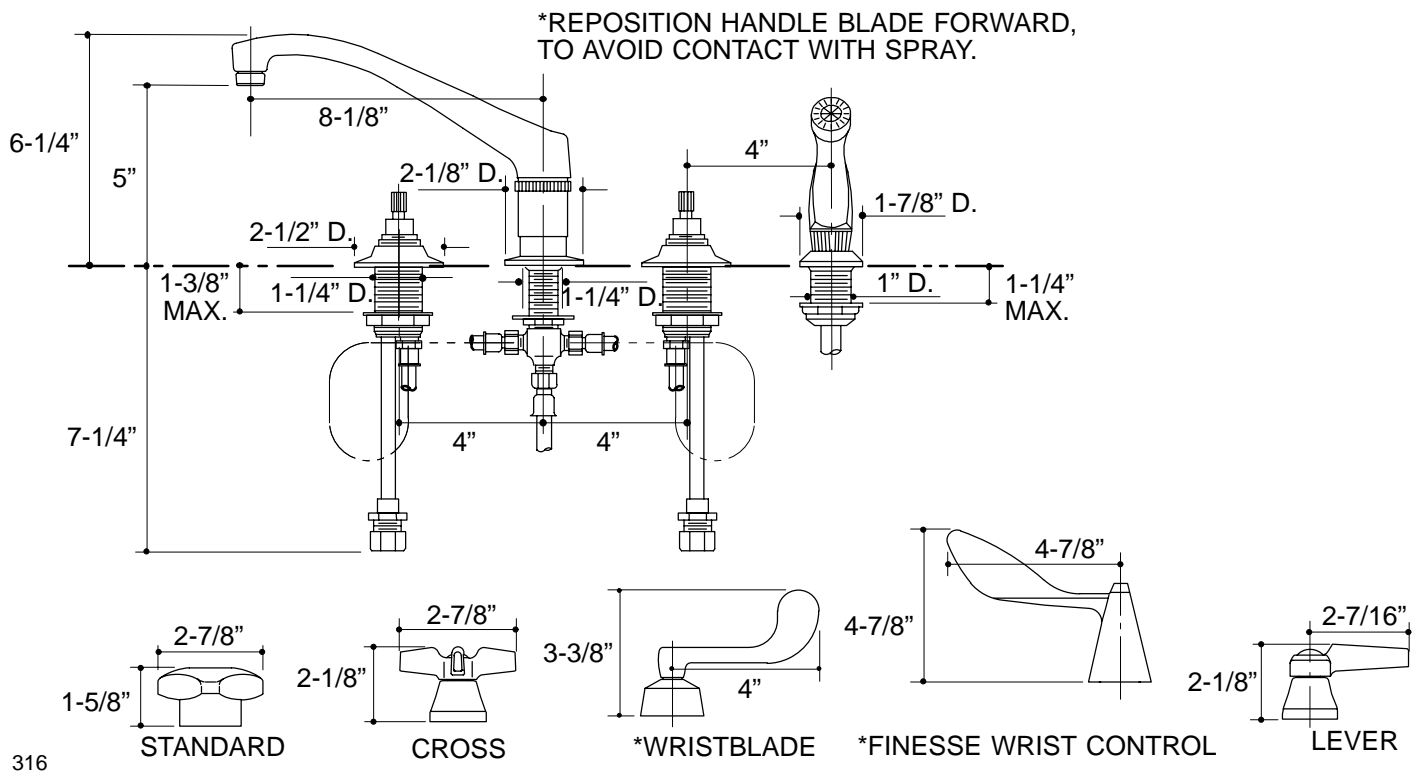


Ordering Information

Applicable faucet:	
Base faucet without spray	K-7761-K
Base faucet with spray	K-7765-K
Triton standard handle	K-16012-2
Triton cross handle	K-16012-3
Triton lever handle	K-16012-4
Triton wristblade lever handle	K-16012-5
Finesse wrist control lever handle	K-16022-5
ADA Lever and cross handles are ADA compliant	



K-7761-K, K-7765-K Triton/Finesse Kitchen Sink Faucet
111056-1-DA (-)

NOTES: