

**Ordering Information**

Accessories/hardware:		
Wire rinse basket/dishrack	K-3277	optional

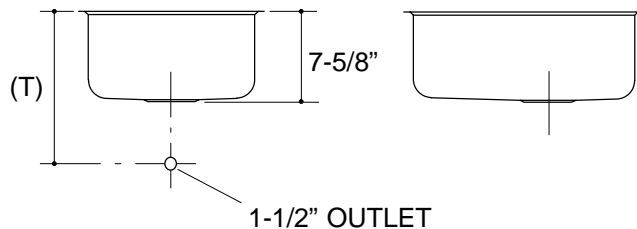
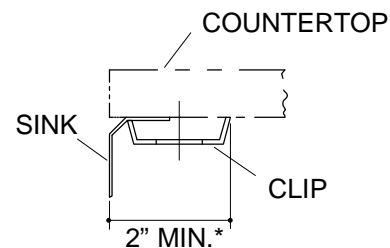
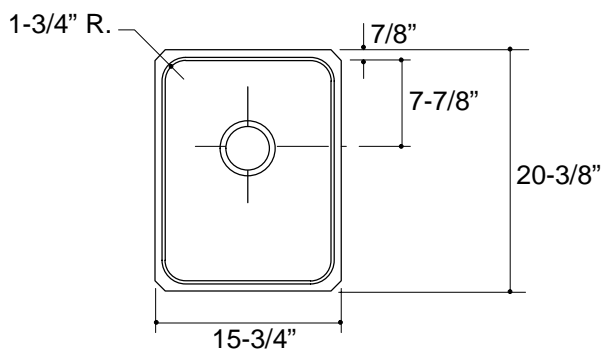
**Product Information**

Fixture*:		basin area	water depth
Sink		14" x 19"	7-7/16"
Outlet	3-5/8" D.		
* Approximate measurements for comparison only.			

Included Components:	
Hardware kit	91915
Cutout template	113195

**Installation Notes**

Refer to installation instructions included with fixture before beginning installation.



<b>Roughing-In Notes</b>
Fixture dimensions are nominal and conform to tolerances in ASME/ANSI Standard A112.19.3M.
(T) Drain typically 13".
*Allow clearance around sink rim for clip attachment.