

BATH FAUCET TRIM
K-T6423
ALSO K-301-K

FEATURES

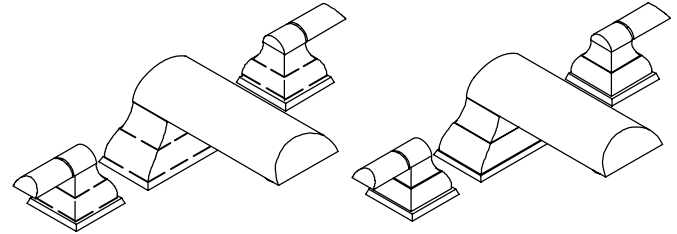
- Brass construction
- Deck-mount
- 6-3/4" non-diverter spout with slip-fit connection
- Lever handles
- Available with one- or multi-piece escutcheons

ADA

CODES/STANDARDS APPLICABLE

Specified model meets or exceeds the following:

- ASME/ANSI A112.18.1M
- CSA B125
- IAPMO/UPC



K-T6423-4B

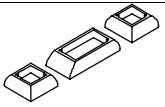
K-T6423-4

COLORS/FINISHES

- CP Polished Chrome
- PB Polished Brass

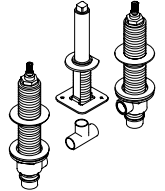
SPECIFIED MODEL: For complete faucet, both faucet trim and valve system must be specified.

FAUCET TRIM WITH MULTI-PIECE ESCUTCHEONS:

Model	Description	<input type="checkbox"/> CP	<input type="checkbox"/> PB
K-T6423-4B	Neuville Deck-Mount High-Flow Bath Faucet Trim	<input type="checkbox"/> CP	<input type="checkbox"/> PB
Required Accessory (For K-T6423-4B Only)			
K-17205	Decorative Inserts	<input type="checkbox"/> CP	<input type="checkbox"/> PB <input type="checkbox"/> Other_____

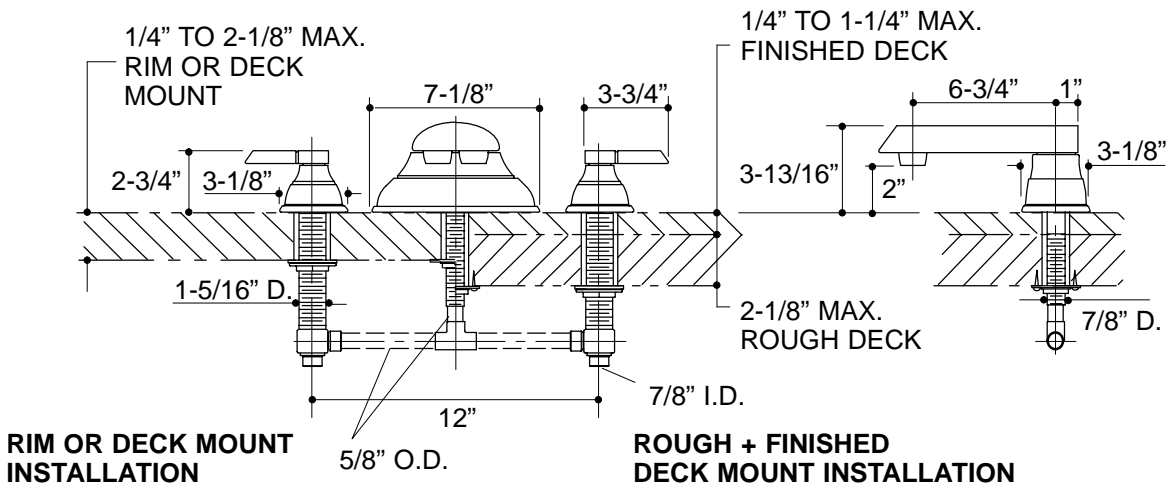
FAUCET TRIM WITH ONE-PIECE ESCUTCHEONS:

K-T6423-4	Neuville Deck-Mount High-Flow Bath Faucet Trim	<input type="checkbox"/> CP	<input type="checkbox"/> PB
-----------	--	-----------------------------	-----------------------------

Required Accessory (For K-T6423-4B and K-T6423-4)		
K-301-K	3/4" High-Flow Ceramic Disc Valve System	<input type="checkbox"/> NA

PRODUCT SPECIFICATION:

Two-handle deck-mount high-flow bath faucet trim shall be of brass construction. Product shall include 6-3/4" non-diverter spout with slip-fit connection, and lever handles. Faucet trim with multi-piece escutcheons shall be Kohler Model K-T6423-4B-_____ with K-17205-_____ decorative inserts, **OR** faucet trim with one-piece escutcheons shall be Kohler Model K-T6423-4-_____. Valve system shall be Kohler Model K-301-K-NA.



PRODUCT DIAGRAM