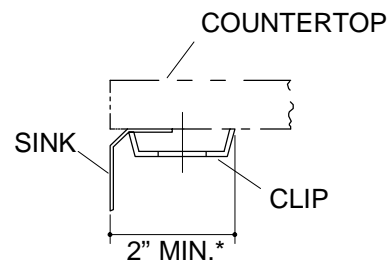
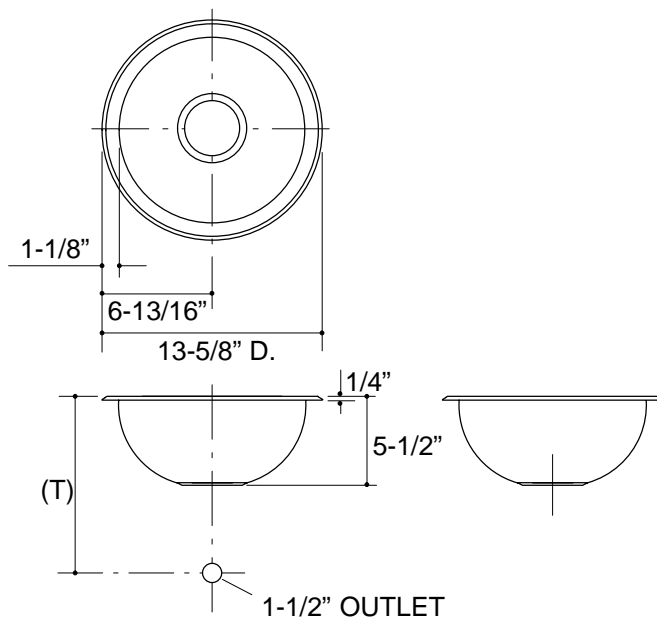


Product Information

Fixture*:		basin area	water depth
Sink		11-1/2" D.	5-1/4"
Outlet	3-5/8" D.		
* Approximate measurements for comparison only.			
Included Components:			
Hardware kit		91915	
Cutout template		111578	

Installation Notes

Refer to installation instructions included with fixture before beginning installation.



Roughing-In Notes

Fixture dimensions are nominal and conform to tolerances in ASME/ANSI Standard A112.19.3M.

(T) Drain typically 10-7/8".

*Allow clearance around sink rim for clip attachment.

1.25>116