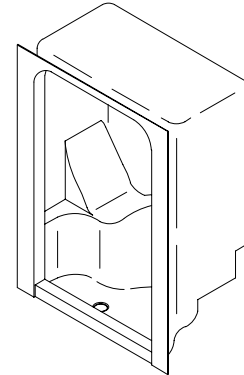


FEATURES

- 60" x 36" x 84"
- Acrylic
- Unique lounge seat
- Corner seat
- Integral high-dome ceiling



CODES/STANDARDS APPLICABLE

Specified model meets or exceeds the following:

- ANSI Z124.2
- Canadian Standards Association (CSA)
- State of Massachusetts
- Dade County, Florida

COLORS/FINISHES

- 0 White
- Other Refer to Fixtures Price Book for additional colors

Accessories:

- CP Polished Chrome
- PB Polished Brass
- SV Nevada Silver™
- BR New England Brass™
- SH Bright Silver
- BH Bright Brass
- Other Refer to Faucets Price Book for additional finishes
- NA None Applicable

SPECIFIED MODEL:

| Model | Description | Colors/Finishes | |
|--------|---------------|----------------------------------|-------------------------------------|
| K-1569 | Shower module | <input type="checkbox"/> 0 White | <input type="checkbox"/> Other_____ |

| Recommended Accessories | | | | |
|-------------------------|-------|-----------------------------|-----------------------------|-------------------------------------|
| K-9132 | Drain | <input type="checkbox"/> CP | <input type="checkbox"/> PB | <input type="checkbox"/> Other_____ |

| Optional Accessories | | | | |
|----------------------|--|-----------------------------|-----------------------------|----------------------------------|
| K-1559 | Steam generator | | | <input type="checkbox"/> NA |
| K-1570 | Dome light | | | <input type="checkbox"/> NA |
| K-9809 | Sonata Glassworks™ steam bypass shower door* OR | <input type="checkbox"/> SV | <input type="checkbox"/> BR | |
| K-9854 | Sonata Glassworks bypass shower door* OR | <input type="checkbox"/> SV | <input type="checkbox"/> BR | |
| K-703030 | Forum™ bypass shower door* | <input type="checkbox"/> SH | <input type="checkbox"/> BH | <input type="checkbox"/> 0 White |

* Refer to Fixtures Price Book for glass options.

PRODUCT SPECIFICATION:

The one-piece seamless shower module shall be 60" in length, 36" in width, and 84" in height. Shower module shall be made of acrylic. Shower module shall have unique lounge seat and corner seat. Shower module shall have integral high-dome ceiling. Shower module shall be Kohler Model K-1569-_____.

SONATA®

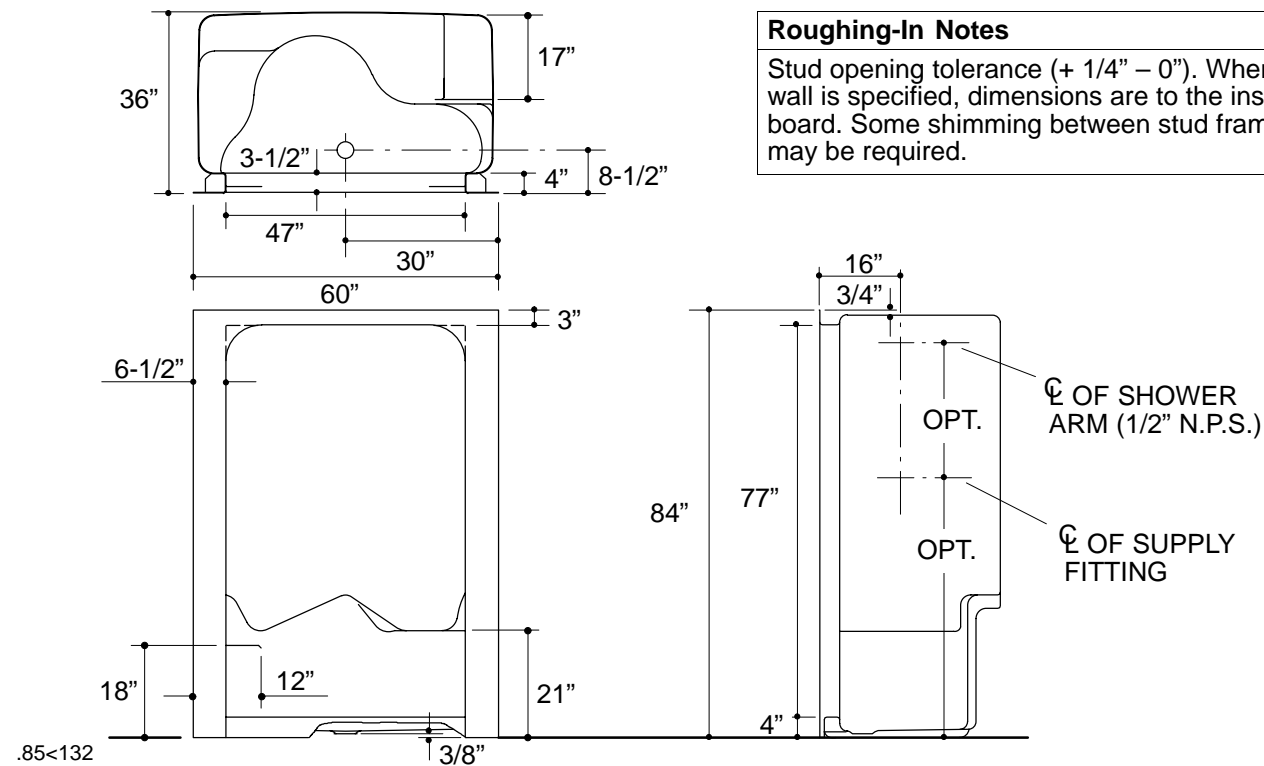
PRODUCT INFORMATION

| | |
|---------------|-----------|
| Fixture: | |
| Weight | 200 lbs. |
| Configuration | 1-piece |
| Drain Outlet | 3-3/8" D. |

INSTALLATION NOTES

Fixture not drilled for supply fittings.

Shimming may be required to level fixture.



PRODUCT DIAGRAM