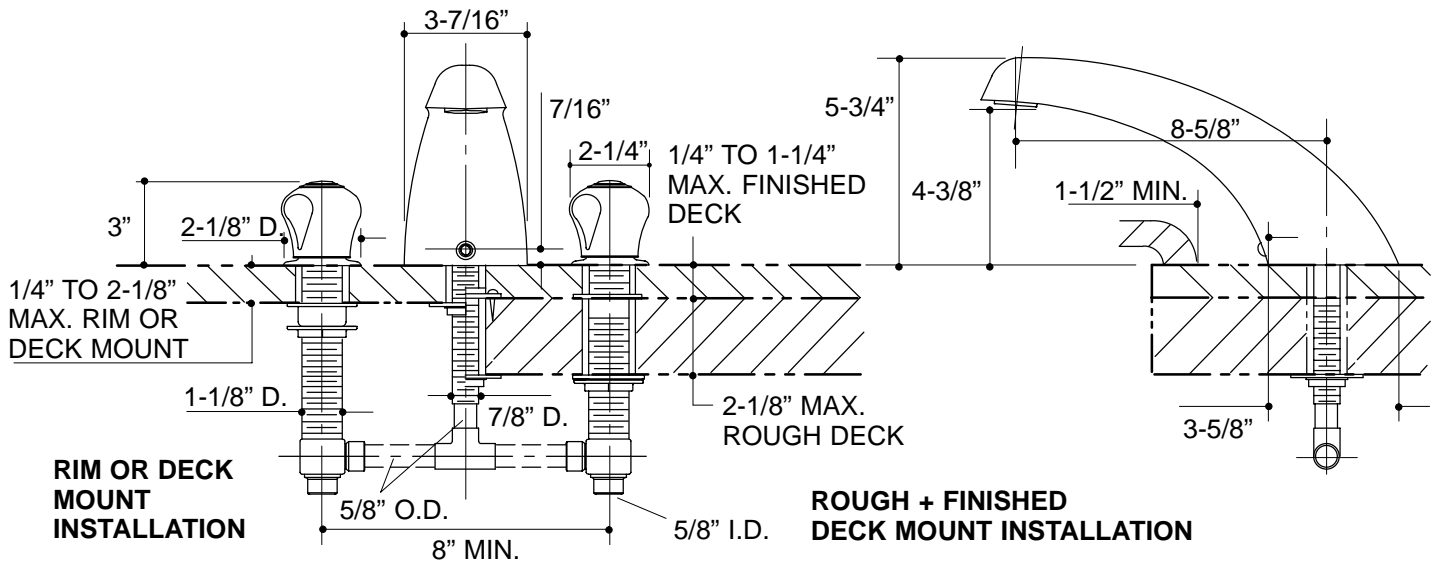


Ordering Information

Applicable bath faucet:		
Complete faucet with sculptured handles	K-15290	
Applicable bath faucet trim:		
Sculptured handles with spout*	K-T15290	
Applicable valve:		
1/2" valve system (shown)	K-15708-K-NA	required**
1/2" valve system with rigid connections	K-15708-KR-NA	required**
*1/2" valve system must be ordered to complete faucet.		
**Required for configuration illustrated.		



Roughing-In Notes

Thin deck/rim installations require additional support under deck/rim. Use 1/2" exterior grade plywood.